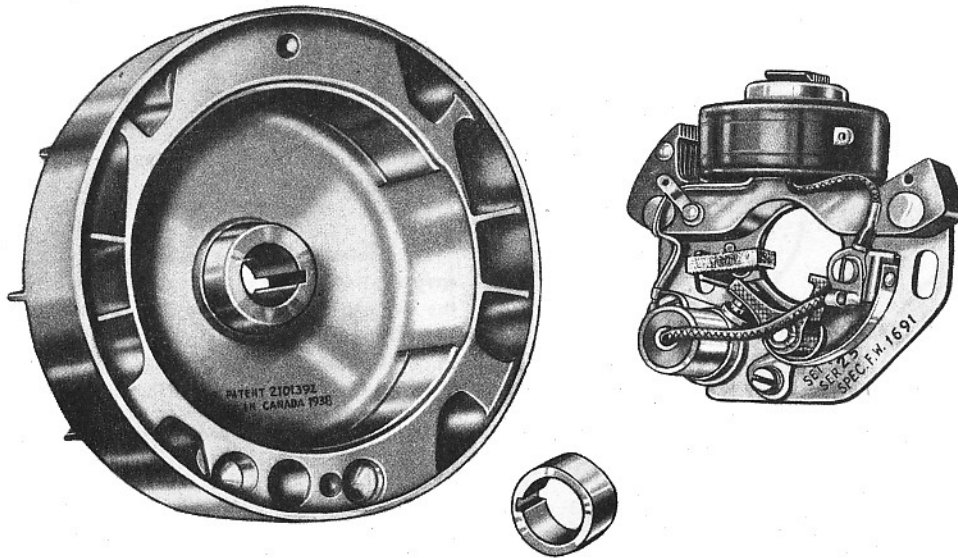


SERVICE PARTS LIST AND BRIEF INSTRUCTIONS FOR

WICO SERIES FW INDUSTRIAL MAGNETOS



**WICO-BUILT
IGNITION**

Concentrated Magnetic Unit

Precision Breaker Construction

Maximum Spark Output

Wico Electric Company
WEST SPRINGFIELD, MASSACHUSETTS

SERIES FW WICO INDUSTRIAL MAGNETO

SERVICE INSTRUCTIONS

It is recommended if there is an indication the magneto is causing trouble that a test be made before attempting to repair it.

If the engine refuses to start, the magneto can be checked by holding the spark plug cable $\frac{1}{8}$ " away from a point on the frame of the engine. When the engine is cranked over in its usual way, a properly performing magneto should jump this gap.

If the engine misses at high speed, first check the spark plug. With the spark plug in good condition and properly adjusted, the magneto should fire a spark without missing while the spark plug cable is held $\frac{1}{16}$ " away from the spark plug terminal.

The only adjustable part on the FW magneto is the breaker

To adjust the breaker points; unscrew the nut which holds the rotor or flywheel of the engine and remove it from the shaft. If the rotor should stick a little, tap the end of the shaft with a mallet or a block of wood, being careful not to damage the screw threads.

Turn the engine over until the breaker arm shoe is on the high point of the cam as illustrated and measure the opening with a feeler gauge. The opening should be .020". If points need adjusting loosen the screw which locks the breaker plate and move the plate to give the proper point setting, then lock the plate securely again by tightening the breaker plate screw. The breaker plate moves about the axis of the breaker arm stud and thus assures proper alignment of contact surface.

The breaker point setting should only be adjusted in the manner described and at no time should the fixed contact be loosened or the breaker arm bent to provide adjustment.

The moving contact is an integral part of the Breaker Arm Group. Should it be necessary to change either the Breaker Arm Group or the Fixed Contact due to normal wear, it is advisable and recommended that both be replaced. The Contact Replacement Set includes both the Fixed Contact and Breaker Arm Group.

To remove the condenser, disconnect the breaker connection strip or Breaker Arm Spring and the primary connection from the live end of the condenser and remove the two screws holding the condenser clamp. The primary ground connection is held under the inner clamp screw. Make sure all connections are clean and tight when replacing the condenser.

Stator Plate Replacement Unit consists of the Coil Core Group, Coil, Condenser and Contact Set assembled to the Stator Plate.

Stator Plate Replacement Assembly consists of the Coil Core Group, and Breaker Arm Pivot assembled to the Stator Plate.

Should the magneto require any service other than breaker points or condenser it is recommended that the complete machine be taken to an Authorized Wico Service Station.

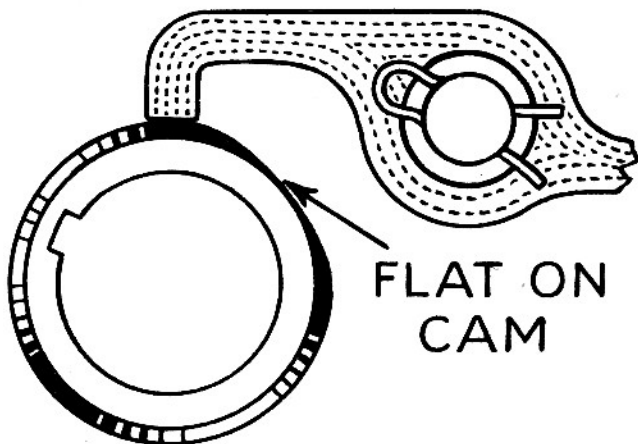


plate which provides adjustment for the breaker points.

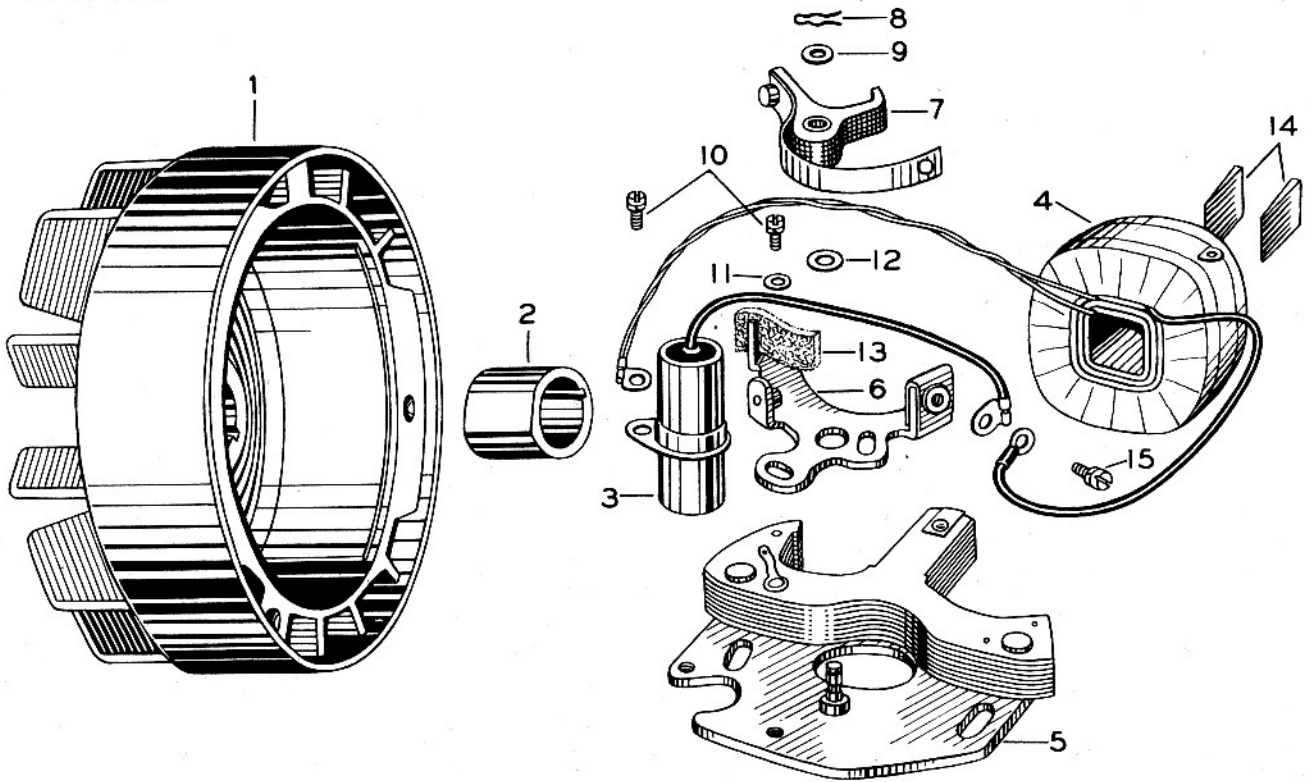
SERVICE PARTS

Wico industrial flywheel magnetos are produced in two sizes having a stator pole shoe radii of approximately 1.8 inches and 2.4 inches. These are signified in the illustrations by the designations FWS-18, FW-24 and FWS-24. The latter size is manufactured in models using either a stamped steel or brass stator plate or a die-cast zinc plate. The FWS-18 is produced with a stamped plate only.

In order to simplify the identification of parts for each of

the above types, illustrations showing models which are representative of these types are shown on the following pages with a list of the magneto specifications and engine manufacturers using each type. In ordering replacement parts, use the illustrations which pictures your magneto, find the specification number which corresponds to the one stamped on your magneto and order the parts required from those shown in the table as being included in that specification.

FWS-18



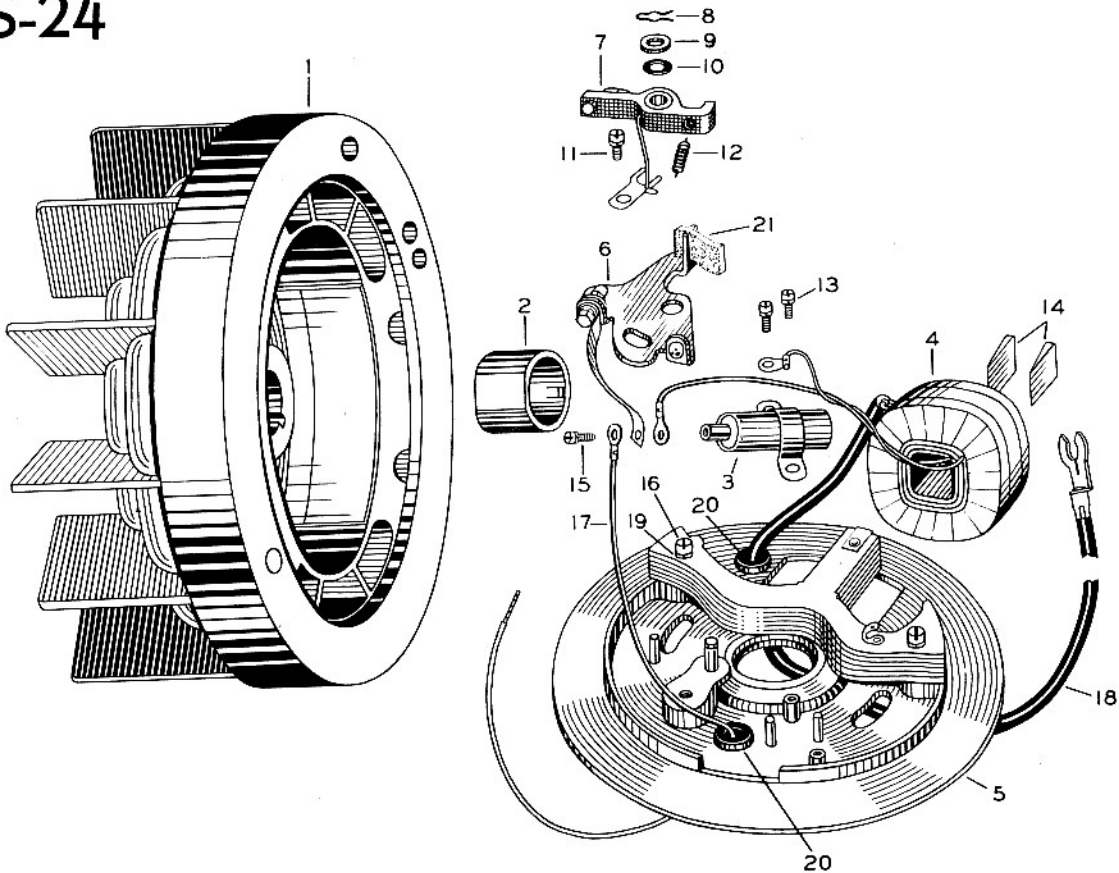
Ref. No.	Part No.	Part Name	List Price
1		Rotor (See Table Below)	See Table
2		Cam (See Table Below)	See Table
3		Condenser (See Table Below)	See Table
4		Coil (See Table Below)	See Table
5		Stator Plate Replacement Assembly (See Table Below)	See Table
6		Contact Replacement Set (See Table Below)	See Table
7		Breaker Arm Group (Included in Contact Replacement Set)	See Table
8	4210-F	Breaker Arm Lock	\$.05
9	3219-F	Breaker Arm Spacing Washer	.05
10	5411-F	Fixed Contact Clamp Screw	.05

Ref. No.	Part No.	Part Name	List Price
10	5411-F	Condenser Clamp Screw	.05
11	IXA-256	Fixed Contact Clamp Screw Washer	.05
12	10407-F	Breaker Arm Spacing Washer	.05
13	6318-F	Cam Wiper Felt (Used on Spec. FW 1747 only)	.05
13	5077-F	Cam Wiper Felt	.05
14	10383-F	Coil Wedge	.05
15	6017-F	Breaker Spring Clamp Screw	.05
	*X5835-F	+Lead Wire Group 13" (Use on Spec. FW-1747B, and FW1788)	.35
		Stator Plate Replacement Unit (See Table and Service Instructions)	

*Not Illustrated. †Add .01 for each additional inch.

ENGINE MANUFACTURER	SPEC. NO.	REF. NO. 1 ROTOR		REF. NO. 2 CAM		REF. NO. 3 CONDENSER		REF. NO. 4 COIL		REF. NO. 5 STATOR PLATE REPLACEMENT ASSEMBLY		REF. NO. 6 CONTACT REPLACEMENT SET		STATOR PLATE REPLACEMENT UNIT		List Price Complete Magneto
		Part No.	List Price	Part No.	List Price	Part No.	List Price	Part No.	List Price	Part No.	List Price	Part No.	List Price	Part No.	List Price	
Lauson	FW-1691	Y5335-F	10.50	5336-F	1.15	X5342-F	1.25	X5345-F	4.25	X5338-F	3.00	X5338-F	1.50	X5344-F	10.50	\$24.00
Lauson	FW-1691B	Y5335-F	10.50	5336-F	1.15	X5342-F	1.25	X5345-F	4.25	X5338-F	3.00	X5474-F	1.50	X5344-F	10.50	24.00
Power Machinery	FW-1747	Y5423-F	10.50	5429-F	1.15	X5342-F	1.25	X5345-F	4.25	X5473-F	3.00	X5388-F	1.50	X5422-F	10.50	24.00
Power Machinery	FW-1747B	Y5423-F	10.50	5429-F	1.15	X5342-F	1.25	X5345-F	4.25	X5473-F	3.00	X5474-F	1.50	X5422-F	10.50	24.00
Telegraph Machine & Tool	FW-1788	Y5423-F	10.50	5429-F	1.15	X5342-F	1.25	X5345-F	4.25	X5473-F	3.00	X5474-F	1.50	X5422-F	10.50	24.00

FWS-24



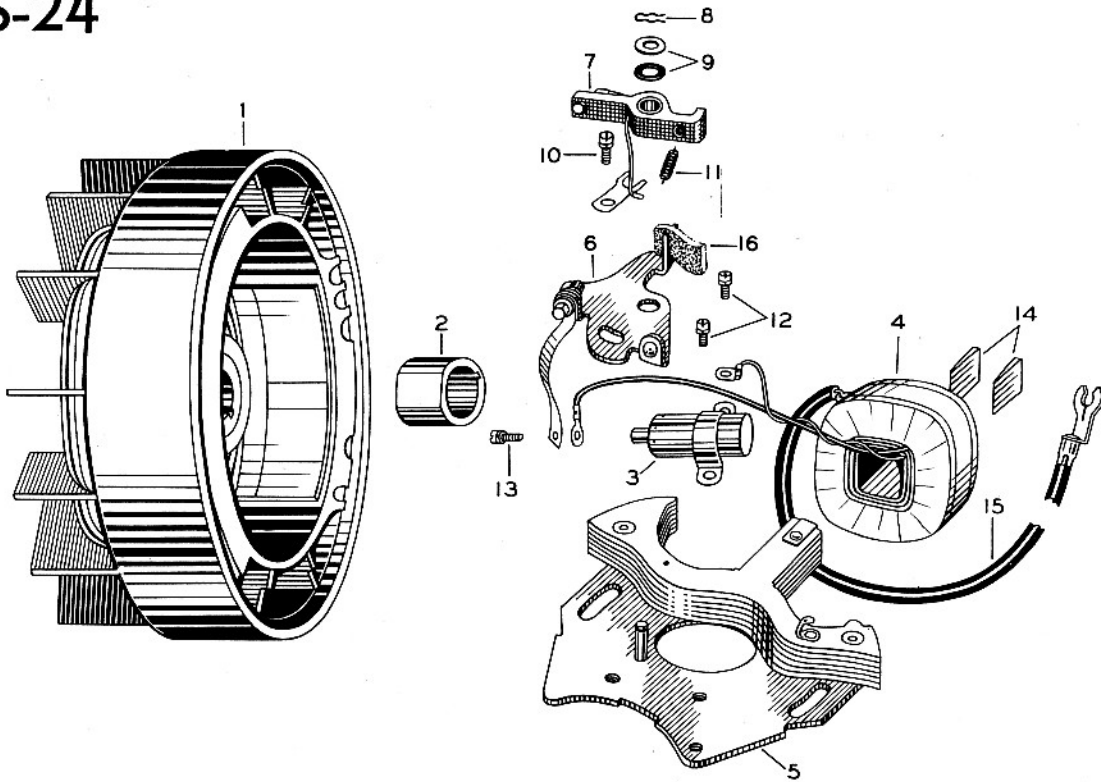
Ref. No.	Part No.	Part Name	List Price
1		Rotor (See Table Below)	See Table
2		Cam (See Table Below)	See Table
3		Condenser (See Table Below)	See Table
4		Coil (See Table Below)	See Table
5		Stator Plate Replacement Assembly (See Table Below)	See Table
6		Contact Replacement Set (See Table Below)	See Table
7		Breaker Arm Group (Included in Contact Replacement Set)	See Table
8	4585-F	Breaker Arm Lock	\$.05
9	5220-F	Breaker Arm Spacing Washer	.05
10	2357T-F	Breaker Arm Spacing Washer (Thin)	.05
11	5806-F	Breaker Plate Clamp Screw	.05
12	2145-F	Breaker Arm Spring	.10
13	5431-F	Condenser Clamp Screw	.05
14	2264B-F	Coil Wedge	.05

Ref. No.	Part No.	Part Name	List Price
15	5431-F	Condenser Connection Screw	.05
16	2157-F	Core Screw	.05
17	†18-X896B-F	Ground Lead Group 12" (Used on Spec. FW1642, FW1643 & FW1777)	.20
18	†X2215-F	Lead Wire Group 12" (Specify length from outside of Stator Plate)	.30
19	IKA-362	Core Screw Lock Washer	.05
20	2179-F	Lead Wire Bushing	.10
20	2179-F	Ground Wire Bushing	.10
21	5077-F	Cam Wiper Felt	.05
22	*5850-F	Coil Dust Shield	.10
	*A-21X	Primary Coil Insulator (Used on Spec. FW 1642 & FW 1777)	.05

*Not Illustrated. †Add .01 for each additional inch.

ENGINE MANUFACTURER	SPEC. NO.	REF. NO. 1 ROTOR		REF. NO. 2 CAM		REF. NO. 3 CONDENSER		REF. NO. 4 COIL		REF. NO. 5 STATOR PLATE REPLACEMENT ASSEMBLY		REF. NO. 6 CONTACT REPLACEMENT SET		STATOR PLATE REPLACEMENT UNIT		List Price Complete Magneto
		Part No.	List Price	Part No.	List Price	Part No.	List Price	Part No.	List Price	Part No.	List Price	Part No.	List Price	Part No.	List Price	
Cushman	FW-1642	Y3844-F	10.50	4932-F	1.15	X2186-F	1.15	X4943-F	5.00	X4929-F	3.50	X5112-F	2.30	X4928-F	12.50	\$26.00
Cushman	FW-1642B	Y3844-F	10.50	4932-F	1.15	X2186-F	1.15	X4943-F	5.00	X4929-F	3.50	X5861-F	2.30	X5977-F	12.50	26.00
Cushman	FW-1643	Y5975-F	10.50	4933-F	1.15	X2186-F	1.15	X4943-F	5.00	X4931-F	3.50	X5112-F	2.30	X4930-F	12.50	26.00
Cushman	FW-1643B	Y5975-F	10.50	4933-F	1.15	X2186-F	1.15	X4943-F	5.00	X4931-F	3.50	X5861-F	2.30	X5965-F	12.50	26.00
Jacobsen	FW-1754	Y5809-F	10.50	2176B-F	1.15	X2186-F	1.15	X4943-F	5.00	X5860	3.50	X5861-F	2.30	X5807-F	12.50	26.00
Gladden	FW-1777	Y5911-F	10.50	4932-F	1.15	X2186-F	1.15	X4943-F	5.00	X4929-F	3.50	X5112-F	2.30	X4928-F	12.50	26.00
Gladden	FW-1777B	Y5911-F	10.50	4932-F	1.15	X2186-F	1.15	X4943-F	5.00	X4929-F	3.50	X5861-F	2.30	X5977-F	12.50	26.00

FWS-24



Ref. No.	Part No.	Part Name	List Price
1		Rotor (See Table Below)	See Table
2		Cam (See Table Below)	See Table
3		Condenser (See Table Below)	See Table
4		Coil (See Table Below)	See Table
5		Stator Plate Replacement Assembly (See Table Below)	See Table
6		Contact Replacement Set (See Table Below)	See Table
7		Breaker Arm Group (Included in Contact Replacement Set)	See Table
8	4585-F	Breaker Arm Lock	\$.05
9	5220-F	Breaker Arm Spacing Washer	.05
10	5806-F	Breaker Plate Clamp Screw	.05
11	2145-F	Breaker Arm Spring	.10
12	5431-F	Condenser Clamp Screw	.05

Ref. No.	Part No.	Part Name	List Price
13	5431-F	Condenser Connection Screw	.05
14	2264B-F	Coil Wedge	.05
15	†X2215-F	Lead Wire Group 12" (Specify length from outside of Stator Plate)	.30
16	5077-F	Cam Wiper Felt	.05
16	5146-F	Cam Wiper Felt (Used on Spec. FW-1707B)	.05
	*A-21X-F	Primary Coil Insulator (Used on Spec. FW-1645, FW-1664B, FW-1707B & FW-1763)	.05
	†*18-896B-F	Ground Lead Group 12" (Used on Spec. FW-1707B & FW-1763)	.20
		Stator Plate Replacement Unit (See Table and Service Instructions)	

*Not Illustrated. †Add .01 for each additional inch.

ENGINE MANUFACTURER	SPEC. NO.	REF. NO. 1 ROTOR		REF. NO. 2 CAM		REF. NO. 3 CONDENSER		REF. NO. 4 COIL		REF. NO. 5 STATOR PLATE REPLACEMENT ASSEMBLY		REF. NO. 6 CONTACT REPLACEMENT SET		STATOR PLATE REPLACEMENT UNIT		List Price Complete Magneto
		Part No.	List Price	Part No.	List Price	Part No.	List Price	Part No.	List Price	Part No.	List Price	Part No.	List Price	Part No.	List Price	
Lauson	FW-1627B	Y5826-F	16.35	4897-F	1.15	X2186-F	1.15	X4943-F	5.00	X5863-F	3.50	X5861-F	2.30	X5851-F	10.50	\$24.00
Lauson	FW-1645	Y4933-F	10.50	5218-F	1.15	X2186-F	1.15	X4943-F	5.00	X5863-F	3.50	X5112-F	2.30	X5803-F	10.50	24.00
Lauson	FW-1645B	Y4933-F	10.50	5218-F	1.15	X2186-F	1.15	X4943-F	5.00	X5863-F	3.50	X5861-F	2.30	X5803-F	10.50	24.00
Mill & Mine	FW-1664C	Y5163-F	10.50	4190-F	1.15	X2186-F	1.15	X3040D-F	6.00	X5863-F	3.50	X5861-F	2.30	X5976-F	11.50	26.00
Syntron	FW-1707B	Y5092-F	13.00	5318-F	1.15	X5321-F	1.70	X4943-F	5.00	X5405-F	3.50	X5862-F	2.30	X5313-F	11.00	28.00
Jacobsen	FW-1753	Y3054-F	10.50	2176B-F	1.15	X2186-F	1.15	X4943-F	5.00	X5863-F	3.50	X5861-F	2.30	X5803-F	10.50	24.00
Syntron	FW-1763	Y5866-F	13.00	6185-F	1.15	X5847-F	1.70	X4943-F	5.00	X5881-F	3.50	X5882-F	2.30	X5851-F	11.00	28.00
Syntron	FW-1778	Y5873-F	13.00	5318-F	1.15	X5847-F	1.70	X4943-F	5.00	X5885-F	3.50	X5882-F	2.30	X5854-F	11.00	28.00
Cummings	FW-1782	Y3054-F	10.50	5218-F	1.15	X2186-F	1.15	X4943-F	5.00	X5863-F	3.50	X5861-F	2.30	X5803-F	10.50	24.00
Cunningham	FW-1783B	Y5813-F	10.50	5218-F	1.15	X2186-F	1.15	X4943-F	5.00	X5863-F	3.50	X5861-F	2.30	X5803-F	10.50	24.00
Gladden	FW-1880	Y5826-F	16.35	4932-F	1.15	X2186-F	1.15	X4943-F	5.00	X5863-F	3.50	X5861-F	2.30	X5803-F	10.50	24.00

WICO ELECTRIC COMPANY, WEST SPRINGFIELD, MASSACHUSETTS, U. S. A.

FACTORY

Wico Electric Company

West Springfield, Mass.

MILWAUKEE, WISCONSIN

D. G. Forbes
O. H. Tift
710 Bankers Bldg.
208 E. Wisconsin Ave.
Milwaukee, Wisconsin

LOS ANGELES, CALIFORNIA

V. T. Chevallier
1116 S. Hope St.
Los Angeles, California

TULSA, OKLAHOMA

Harry Lolley
310 Thompson Bldg.
Tulsa, Oklahoma

NEW YORK

Wico Electric Company
38 Pearl St.
New York, N. Y.

DIRECTORY of OFFICIAL SALES and SERVICE STATIONS

UNITED STATES

ALABAMA
Anniston Cain and Bus Electric Co. 201 West 10th St.
Birmingham Birmingham Electric Battery Ave. B and 23rd St. S.
Birmingham Auto Electric & Carburetor Co. 7100 2nd Ave. S.
Birmingham Carburetor and Ignition Co. 2114 Third Ave. S.
Decatur R. J. Conington
Dorhan Whiddon Implement & Truck Co. 202 S. Gates St.
Huntsville Jacobs Battery Co.
Huntsville Mobile Electric Garage
Montgomery Auto Electric Service 247 Bolton St.
Montgomery Parts Service Corp. 302 Mollo St.
Selma Selma Electric Battery Co.
Tuscaloosa Warner Auto Parts Co.

ARIZONA
Coolidge Sater Auto Supply
Flagstaff March Auto Electric Co.
Flagstaff Universal Electric Co. 311 Mollay Ave.
Phoenix Jones Battery & Electric Co. 318 W. Jefferson St.
Phoenix H. M. Jones, 4th Ave. & Jefferson
Phoenix Motor Supply Co. 715 N. Central Ave.
Safford Safford Auto Supply Co. 720 Main St.
Yuma Southwest Auto Electric Co. 247 North Stone Ave.
Yuma Harris Auto Parts, 211 First St.
Yuma Member & Willey Co.

ARKANSAS
Bellefonte Row Auto Parts
Clareville L. H. King Motor & Equip. Co.
Elkhart Gray, Magneto & Elec. Serv.
El Dorado Auto Electrical Supply Co. 208 N. Cleveland
El Dorado Magneto Service & Supply Co. 416 E. Main St. P.O. 300
England J. M. Johnson Co.
Fort Smith Keston Sewell Mtr. Service
Harrison Higginbottom Mtr. & Impl. Co.
Harrison E. Stephenson & Olive Sts.
Hobbs Delta Magneto Co. 424 Walnut St.
Hobbs Rye Henry
Hialeah 5557 Inc.
Pine Bluff Smith Battery & Elec. Service
Russville Hilliard Frantz Imp. St.
Springdale Bear Cat Service
Sulphur Waggoner & Workman
Texarkana Wade Commercial Co. 5th & State Lanes
Truman Melton Bros. Co. Highway 63

CALIFORNIA
Bakersfield Automotive Service Co. 2111 Chamber Ave.
Bakersfield H. E. James & Son 7531 Center Ave.
Brawley Imperial Valley Auto Electric, 115th & Plaza Sts.
Chico O. J. Forney, 121 West 8th St., P.O. Box 417
Compton Curtis & Christman, 146 East Compton Blvd.
Dixon Electrical Service Co., 199 S. 9th St.
El Centro Wm. E. Coulton, 7th & G Sts.
Fillmore Tom Walsh, 274 Central Ave.
Fresno Electric Laboratories, Inc., 1827 Van Ness Ave.
Fullerton Don V. Echin, 114 N. Midland St.
Gilroy Givny Auto Electric, 22 So. Monterey St.
Glendale Pinner-Baill Inc., 600 S. Brand Blvd.
Grass Valley L. Ambrose
Hawthorn Hollister Battery Co., 4th & East Sts.
Huntington Beach Olwell Engine Service, 517 16th St.
Huntington Park Auto Elec. Service, 2570 Randolph
King City George Bridges Battery & Electric Serv., Box 487
Lancaster Ches. Johnson
Lancaster H. S. Webb, 1955 Spruce Way
Lancaster Pecos Bus Repair Serv., Box 702
Long Beach Auto Elec. & Speedometer Co., 516 E. Anaheim
Los Angeles Branham Ignition Works, 1450 Long Beach Ave.
Los Angeles Continental Electric Service, 1920 East 7th St.
Los Angeles Carburetor Equip. Co., 15th & Hill Sts.
Los Angeles Jones & Company, 214 N. Pacific St.
Los Angeles Electric Equipment Co., 1611 S. Hope St.
Los Angeles Southern Cal. Motor Parts, 1201 Santa Fe Ave.
Marysville Electric Hospital, 5th & G Sts.
Merced Harris Automotive Service, 841 17th St.
Modesto Willinger's Automotive Clinic, 717 15th
Monrovia O. Connor, 123 S. Myrtle St.
Napa Joe Dracinski, 1318 Main St.
Oakland Downtown Battery & Elec. Co., Inc., 1954 Webster St.
Ontario McCarter & Livingston, 30 W. W. St.
Oxnard Oxnard Auto Electric Co., 318 A St.
Pasadena C. E. Pennock, 4th Autom. Serv., 240 N. Hill Ave.
Palo Alto Hubbard & Hubbard, 1233 Spring St.
Petaluma J. H. Stone, 444 Main St.
Petrolina Pedrini Autom. Serv., 326 Main St.

CALIFORNIA (Cont'd)

Pomona Frank W. Loney, 144-148 West 4th St.
Porterville Porterville Battery Works, 7th & Oak Sts., Box 1030
Red Bluff Tehama County Battery & Electric, 535 Main St.
Redding Valentino's Electromotive Service, 1715 Calif. St.
Riverside Abrigh's, 1889 8th St.
Riverside "Bick" Wilson, 4300 Market St.
Sacramento Langner & Rifkin, 1116 15th St.
Salinas Dilard Electric Service, 247 Monterey St.
San Bernardino Harmon & Marshall, 416 5th St.
San Bernardino Palace Autom. Electricians
San Bernardino Place Auto Electric, Court & G Sts.
San Francisco *Auto Elec. Sup. Co., 543 Van Ness Ave.
San Gabriel Lang & Frazer, 1523 S. San Gabriel Blvd.
San Jose Ralph Bergeson Inc., Ser. 798 W. Santa Clara St.
San Jose Cook's Auto Service, 4th & Santa Clara Sts.
San Luis Obispo Super & Anderson, Nipomo & Highway Sts.
San Rafael Paris Auto Elec.
Santa Ana United Auto Service, 100 So. Main St.
Santa Barbara France & France, 530 Chasala St.
Santa Barbara Krippl's, 1000 Chapala St.
Santa Barbara Mann DeArms, 914 Chopra St.
Santa Cruz Alfred C. Handley Battery & Elec., 335 Front St.
Santa Maria Magneto & Electrical Service, 320 N. Broadway
Santa Rosa H. B. Franklin, 3rd & B Sts.
Shafter Pfendel's Automobile Park, Center & Larkin Sts.
Shafter A. O. Graham
Shafter Auto Electric Co., 231 N. Hunter St.
Shafter Magneto Supply Co., 749 S. Aurora St.
Taft Butts & Clark, 528 Main St.
Taft McCarty Brothers, Smith & Main Sts.
Taft Rays Auto Service, 505 Kern St.
Tulare Garlick Electric Shop, Rt. 43, Box 54
Tulare Sney & Cooper, 203 N. Locust
Turlock Hevener's Battery & Electric Service
Van Nuys Van Nuys Carburetor & Ign. Serv., 427 Van Nuys Blvd.
Ventura Anderson Auto. Equip., 78 S. California St.
Visalia Tom Glasgow, 627 Main St.
Visalia Sney & Cooper, 203 N. Locust
Watsonville Townsend's Auto Electric, 14 E. Lake Ave.
Whittier Daniels Goodyear Service, 492 Philadelphia (East)
Whittier Friction Auto Sup. & Serv. Norm. Harley & Company, 375
Whittier Wheeler Auto Electric, 121 N. Main St.
Wilcox Dean Battery & Electric Co.
Wilmington Central Garage, 127 W. "B" St.

COLORADO

Alton Fowler Machine Shop
Burlington Paul Electric Shop
Colorado Springs Cranston Bryan Co., 120 N. Walker St.
Denver Auto Electric Appliances Co., 100 Aurora St.
Denver Brown Battery & Electric Co., 1543 Arden St.
Denver Central Supply Co., 1171 Lincoln St.
Denver Magneto Specialty Co., 2224 Welton St.
Denver Pigeon, Inc., 748 Broadway
Denver *Spark Electric Shop, Rt. 43, Box 54
Durango Rocky Mountain Electric Station
Durango Simpson Automotive, 1075 Main St.
Englewood Colorado Auto Service, 16 W. Harpden Ave.
Fort Morgan Williams Auto Elec. Serv., 420 W. Plate
Greeley Roy L. Smith
Holyoke C. H. Schmidt Garage, 411 Denver Ave.
Julesburg A. R. Sapp
Lamar Motor Supply Co., 2071 1st Ave.
Lamar F. E. Yanney Repair Shop
Longmont John L. Bigger, 517 Main St.
Lordsburg Parker F. Glasgow, 518 Cleveland Ave.
Monte Vista Joe Roggenbach, 134 Washington St.
Montrose Harman Brothers, Inc.
Montrose Barber & Baul
Pueblo Martin-McKeeven Service
Pueblo R. W. T. Motor Service, 272 N. Santa Fe Ave.
Rocky Ford Rocky Ford Auto Parts
Trinidad Masau Automotive Service
Wray Trinidad Distributors

CONNECTICUT

Bridgport D'Elia Elec. Co., 1330 Fairfield Avenue
Danbury Humphrey Brothers, Inc., 141 White St.
Hartford Hartford Automotive Service, 118 Albany Ave.
Hartford McCullum Motor Service, 78 Maple Ave.
Manchester Norton Electrical Instruments Co., Hillard St.
New Haven Auto Electric Sales & Service Co., 120 Gileade St.
New London Cream Autom. Service, 23 Truman St.
Norwich Cream Automotive Service, 47 North Main St.

CONNECTICUT (Cont'd)

Stamford Auto Elec. & Battery Inc., 745 Main St.
 Torrington Braham Auto Electric Co., 176 East Main St.
DELAWARE
Auto Battery Service Co.
The Magneto & Auto Elec. Co., 607 French St.
Miller Dudley Co., 176 14th St., N. W.
DISTRICT OF COLUMBIA
Creech Bros., 1814 14th St.
Miller Dudley Co., 176 14th St., N. W.
FLORIDA
Arcade Arcadia Battery & Elec., 100 S. Full Ave.
Cocoa Cocoa Battery & Elec. Serv., 2954 Oak Ave.
Daytona Beach F. & M. Carburetor Ignition, 404 N. Beach St.
Daytona Beach Robertson Electric Service, 412 N. Beach St.
Eustis A. O. Jeffrey's Battery & Elec. Serv., 19 Orange Ave.
Fort Lauderdale Rowley Battery & Electric, 615 N. E. 1st St.
 Ft. Meyer Jet Breaker Auto & Marine Elec. Serv., 16 Bayview Ct.
 Gainesville Auto Parts & Serv. Co., N. 4th & Cedar Pl.
 Gainesville White Electric & Battery Service, 722 728 West University Ave.
 Gilbert's Magneto Exchange, 22 E. Beaver
 Jacksonville Magneto Battery & Electric Co., 14 Union St., W.
 Jacksonville Spencer Electric, Inc., 43 W. Beaver St.
 Lakeside Gabe Auto Electric, 316 N. Kentucky
 Marianna Hudnall's West Florida Equipment Co.
 Miami "Electrical Equipment Co. of Florida, 42 N. W. 4th St.
 Miami Florida Diesel Serv. Co., 1930 N. Miami Ave.
 Miami Mollen Electric Service, 51 N. W. 4th St.
 Miami Outboard Motor Sales & Service, 6311 N. W. 7th Ave.
 Miami Rountree Carvins, Inc., S. Magnolia Ave.
 Ocala Buick, Fraut & Tractor Co., 1327 N. Magnolia St.
 Orlando J. H. Mapp, 443 W. Central
 Pensacola Pennacola Electric Garage
 Pensacola Petrus Bros.
 Plant City Super Service Station
 Sanford Frank & Murray, 2th St. & 1st Ave. So.
 Tallahassee Electrical Service Co., 207 Magnolia St.
 Tallahassee Baker Alfred Co., 209 E. Call St.
 Tampa Beavers Battery & Electrical Mfg. Co., 1120 Tampa St.
 Tampa Spencer Auto Electric, Co., 807 E. Cass St.
 West Palm Beach Sutcliffe's Electric Co., Cor. 2nd & Olive Sts.
GEORGIA
Keenan Auto Parts Co., 112 Front St.
Parrott's Garage, 325 W. Lamar St.
ALABAMA
*Auto Electric & Magneto Co., 477 Spring St., N. W.
Atlanta Magneto Sales & Service Co., 18 Pine St., N. W.
Augusta Auto Electric & Carburetor Service, 528 E. 1st St.
Augusta Magneto & Electric Co., 527 Bond St.
Bunswick Flinders Auto Elec. Co., 7030 Newark St.
Cairo Walker's Garage, 1206 Newcastle St.
Columbus Motor Parts & Service, Inc., 1235 30 First Ave.
Macon Carburetor & Elec. Service, 706 Third St.
Savannah Savannah Electric & Mag. Co., 411 E. Liberty St.
 Valdosta R. H. Bassford Autom. Co., 301 N. Patterson St.
IDAHO
*Calley Automotive, 1105 Idaho St.
Boise Gold Motor Towing, 299 E. Main St.
Idaho Falls Idaho Falls Battery Co., 220 C. Street
Lewiston Flannery & Gusto, 130 Ninth St.
Lewiston Orlanman Diesel & Electric Co., 116 9th St.
Moscow Kenby Auto & Tractor Elec.
Moscow Nelson Auto Electric, 618 S. Main St.
Pocatello B. Meyer, 2434 S. Antler
Pocatello Electric Service Co., 311 N. Main
Twin Falls Kyle M. Waite, Electrician, 227 Main St.
ILLINOIS
Anna Minery Electric Shop, 129 West Davis St.
Aurora Limited Auto Service, 47 S. Lake St.
Belleville Blain Bros. Battery & Elec. Serv., 424 E. Main St.
Burlington Burlington Auto Electric, 116 East Pleasant St.
Bloomington Bloomington Battery Service, 207 209 S. East St.
Carle E. & Auto Supply, 21 S. Sprague Sts.
Canton Knox Battery & Elec. Co., 227 N. First Ave.
Carle B. Meyer, 2434 S. Antler
Centralia Holtkamp Electric Service, 201 N. Poplar St.
Champaign Fred Swanson Mch. Shop, 24 E. Columbia Ave.
Chicago Crawford Ignition Co., 3916 Fullerton Ave.
Chicago Illinois Auto Electric Co., 2101 Indiana Ave.

ILLINOIS (Cont'd)

Clinton Lower's Garage, 309 W. South St.
Crosville Holtkamp Electric Service
Danville Honor Auto Electric Service, 757 W. Main St.
Decatur Decatur Battery Service, Inc., 745 E. Main St.
Dixon Garage Supply, 205 E. First St.
Elgin R. and B. Electrical Shop, 108 South 4th St.
Eggleston Francis J. Adams, 250 S. Grove Avenue
Fairfield Fleming's Magneto Serv., R.F.D. #3
Freeport Freeport Battery Serv. Garage, 11 No. Adams Ave.
Greenville Galeburg Machine Works, 262 S. Seminary St.
Greenville Illinois & Supply Co., 325 S. 3rd St.
Harris Al. Rorer
Harvard Leech Auto Parts, 17 N. Ayers St.
Jacksonville Webster Electric Co., 212 W. Court St.
Joliet Zinner Reckstrom Co., 4 N. Michigan St.
Kankakee Electrical Equipment Co., 231 35 N. Dearborn Ave.
Lincoln Auto Electric Service, 617 E. Palmsi
Macomb Sinker Battery & Elec., 341 N. Lafayette St.
Mazon Auto Electric Co., 1905 Charleston Ave.
Mendota Snyder Auto Electric Service, 915 E. Main Ave.
Morris Varland Implement Co., 216 W. Washington
Mt. Carmel Deck Hill Battery Co.
Mt. Vernon Auto Supply, 10th & Jordan Sts.
Murryphors Jackson County Bath Co., 215 S. 10th St.
Ottawa Poland Ignition Service, 10th & Boone St.
Ottawa Ross Electric Co., 318 West Madison
Parson Johnson's Elec. Shop, 107 1st St. (East)
Paris Paris Automotive Ignition Service, 1222 Franklin St.
Peoria Electrical Terminals Co., 300 Rockville Ave.
Pontiac Wolf's Battery & Elec. Serv., 305 N. Oak St.
Ponchartraine Geo. M. Brown Tractor Service, 43 S. Main St.
Quincy Alton Battery & Electric Co., 113 N. 10th St.
Rockford Alton Battery & Electric Co., 113 N. 10th St.
Rockford Peterson Battery & Elec. Serv., 207 S. Winnebago St.
Rock Island Leche Automotive Service, 430 17th St.
Salem C. J. Field Engine Works, R. R. No. 2
Springfield Chrysler Service Co., 407 E. Jackson St.
Stirling Mylne Agricultural Shop, 271 East Third St.
Swanton Battery & Garage, 325 E. St.
Taylorsville R. B. Reams, Elec. Serv., Park & Webster
Waverly Washburn Mag. & Elec. Serv., 500 Walnut St.
INDIANA
Anderson Brown Electric Co., 1219 Main St.
Bloomington Fullerton Battery & Elec. Shop, 220 S. College
Brazil Brazil Battery & Electric Serv., 517 E. National Ave.
Crawfordsville Snyder's Battery & Elec. Serv., 107 E. Market St.
Delphi Keller's Electric Serv., State Rte. #39
Elkhart Auto Specialties Co., 216 Tyler Ave.
Elkhart Long Auto Service, 119 Jefferson St.
Evansville Automotive Electric Service, Inc., 320 33rd St.
Evansville Mustang Auto & Mch. Co., 511 Locust St.
Fort Wayne Auto Electric Service, Inc., Baker at Harrison St.
Fort Wayne McCormick Ignition Corp., 1117 S. Beech St.
Frankfort Matney Electric Service, 233 Washington St.
Gary Pella Auto Bath & Elec., 215 E. Broadway
Goshen Goshen Auto Elec. & Brake Serv., 127 E. Washington St.
Hammond Quin Bros. Inc., 257 Douglas St.
Huntington Harry's Tire Shop, Inc., 39 W. Washington St.
Indianapolis "Gulling" Auto Elec. Co., 450 N. Canal St.
Indianapolis Equipment Service Co., 272 No. Illinois St.
Indianapolis Ryan Auto Parts Co., 102 E. Washington St.
Indianapolis Gifford Imp. Co., 250 N. Washington St.
LaCrosse Sumnerville & Zimmerman
Lafayette The Glenn Electric Serv., 212 S. 5th St.
Lafayette Borgers' Auto Electric Service, 610 Indiana Ave.
Lagansport Excel Auto Parts, 611 North St.
Marian The Glasser Electric Co., 102 E. Washington St.
Mendon Barton Auto Supply, 208 N. Main St.
Muncie Auto Electric Service, 212 N. Walnut St.
New Castle East Hill Electric, Inc., 1529 Erie St.
Reynolds McCormick Battery Co., 214 S. Van Rensselaer
Richmond Auto Elec. & Carburetor Serv., 111 S. 9th St.
Shelbyville Bob's Electric Service, 21 E. Broadway
South Bend McCormick Battery Co., 431 S. Main St.
Terre Haute Smith & R. Electric Auto Electric Serv., 1027 Washburn
Terre Haute Terre Haute Battery & Elec., 12 N. 5th St.
Valparaiso Stephens Service Co., E. Lincolnway
Vincennes Ace Auto Electric Service, 11 S. Fourth St., Box 38
Vincennes Auto Elec. Comp., 145 S. 4th St.
Washington Auto Electric Service, 208 E. S. St.
IOWA
Algona Thompson Distributing Co., E. State & Lantry
Armstrong Pape's Garage & Electric Service
Atlantic Atlantic
Belle Plaine F. L. Sankel Auto Supply Co., 807 13th St.
Boone Franklin Auto Elec. Serv., 7th & Koster Sts.
Burlington Meacham's Electric Service, 500 N. Main St.

