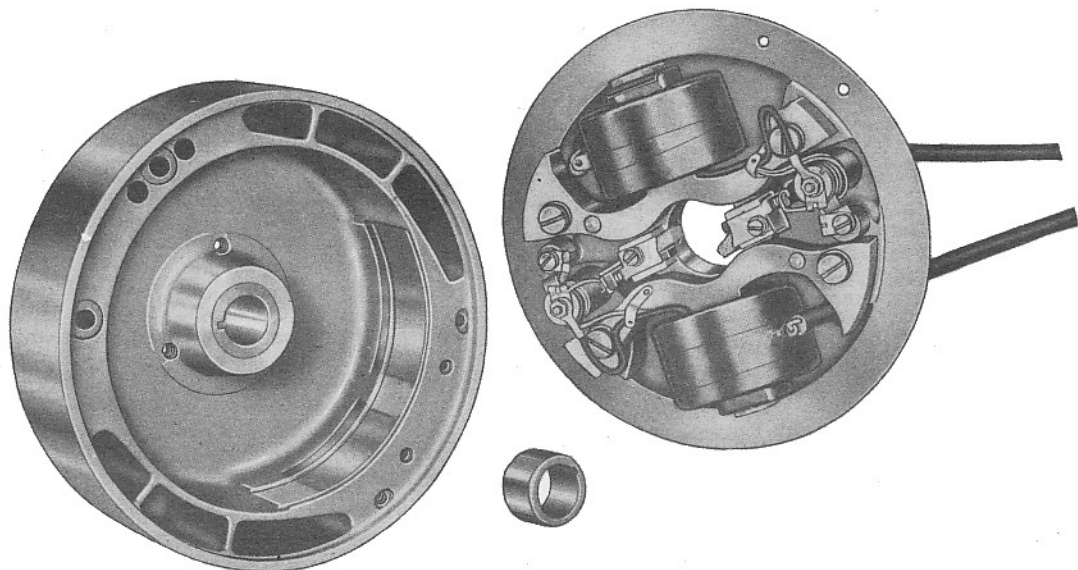


SERVICE PARTS LIST AND BRIEF INSTRUCTIONS FOR

WICO SERIES FW OUTBOARD MAGNETOS



**WICO-BUILT
IGNITION**

Concentrated Magnetic Unit

Precision Breaker Construction

Maximum Spark Output

Wico Electric Company
WEST SPRINGFIELD, MASSACHUSETTS

WICO SERIES FW OUTBOARD MAGNETO

DESCRIPTION

The Series FW Outboard Motor magneto featuring high spark output for easy starting is produced in several popular models. The single application, as the name implies, is used on single cylinder outboard motors, while the two spark alternate and the two spark dual applications are used on two cylinder alternate and simultaneous firing motors.

Although this magneto is of improved design and incorporates many new features, it is built around the Wico standard magnetic circuit which includes the "W" shaped coil and core assembly on the stator plate and the magnet and pole shoe

assembly cast in the flywheel. The breaker cam is highly polished, and wear resistant, lubricated by cam wiper felts which are factory impregnated with long life grease.

The alternate, unlike previous models, does not need a distributor, since it contains two separate circuits, each with its own coil, breaker points and condenser. This provides the engine with independent ignition for each cylinder. If one cylinder fails to fire, the outboard user can "get home" on the other cylinder.

SERVICE INSTRUCTIONS

CHECKING MAGNETO FOR SPARK:

It is recommended that if there is an indication the magneto is causing trouble that a test be made before attempting to repair it.

If the engine refuses to start, the magneto can be checked by holding the spark plug cable about 1/16" away from a point of the frame of the engine. When the engine is cranked over in its usual way, a properly performing magneto should jump this gap.

If the engine misses at high speed, first check the spark plug. With the spark plug in good condition and properly adjusted, the magneto should fire a spark without missing while the spark plug cable is held 1/16" away from the spark plug terminal.

REMOVAL OF FLYWHEEL FROM OUTBOARD MOTOR:

Unscrew the nut which holds the flywheel on the shaft about one turn. The flywheel will stick to the shaft. To loosen it, grasp the flywheel firmly and while attempting to pull it off, strike the nut with a mallet or lead hammer, being careful during this operation not to damage the threads. The rapping will break the flywheel loose from its tapered fit on the shaft. Remove the nut and flywheel.

ADJUSTMENT OF CONTACTS:

The only adjustable parts on the FW magneto are the fixed contact plates which provide adjustment for the breaker contacts.

To adjust these contacts, first remove the flywheel or rotor. Turn the engine over until the breaker arm shoe is on the high point of the cam and measure the opening between the contact with a feeler gauge. The opening should be .020. If the contact needs adjusting, loosen the fixed contact clamp screw until the fixed contact plate can be moved. Move the contact plate until the opening between the contacts measures .020 and then tighten the screw. This operation should be repeated with the other breaker contact to synchronize the breaker mechanisms if this is an alternate model. If the breaker con-

tacts are pitted or worn they should be replaced. To replace the contact, remove the condenser connection screw and the fixed contact clamp screw. The contacts can then be removed from the stator plate. If necessary, the breaker spring can then be removed by taking out the breaker spring clamp screw. If the contacts need replacing, it is recommended that both the fixed and the movable contact be replaced at the same time.

REMOVAL OF CONDENSER:

To remove the condensers, first remove the condenser connection screw and then remove the condenser clamp screw. The condenser may then be lifted from its socket.

TO REPLACE THE COIL:

To remove the coil, first disconnect the coil leads from the condenser post and condensed clamp, then remove the two core screws which fasten the laminated core to the stator plate. Using a screw driver, pry up the core from the dowel pins which position it on the stator plate.

Remove the rubber coil terminal protector from around the coil and disconnect the spark plug lead wire.

With the coil and core group removed from the stator, bend up the coil locking lamination and, using an arbor press, remove the coil from the core, being careful not to damage the core. Remove the wedges from inside the coil.

The new coil can then be assembled to the core and the wedges driven between the core and the coil. Before fastening the core on the stator plate, connect the spark plug lead wire to the coil terminal and place the rubber coil protector around the coil. Make sure that the core screws are securely tightened. Connect the black coil lead to the condenser post and the stranded lead to the condenser clamp.

LUBRICATION:

The cam wiper felts either should be replaced each season or re-oiled with a few drops of heavy oil. No other lubrication of the magneto is necessary.

SERVICE PARTS

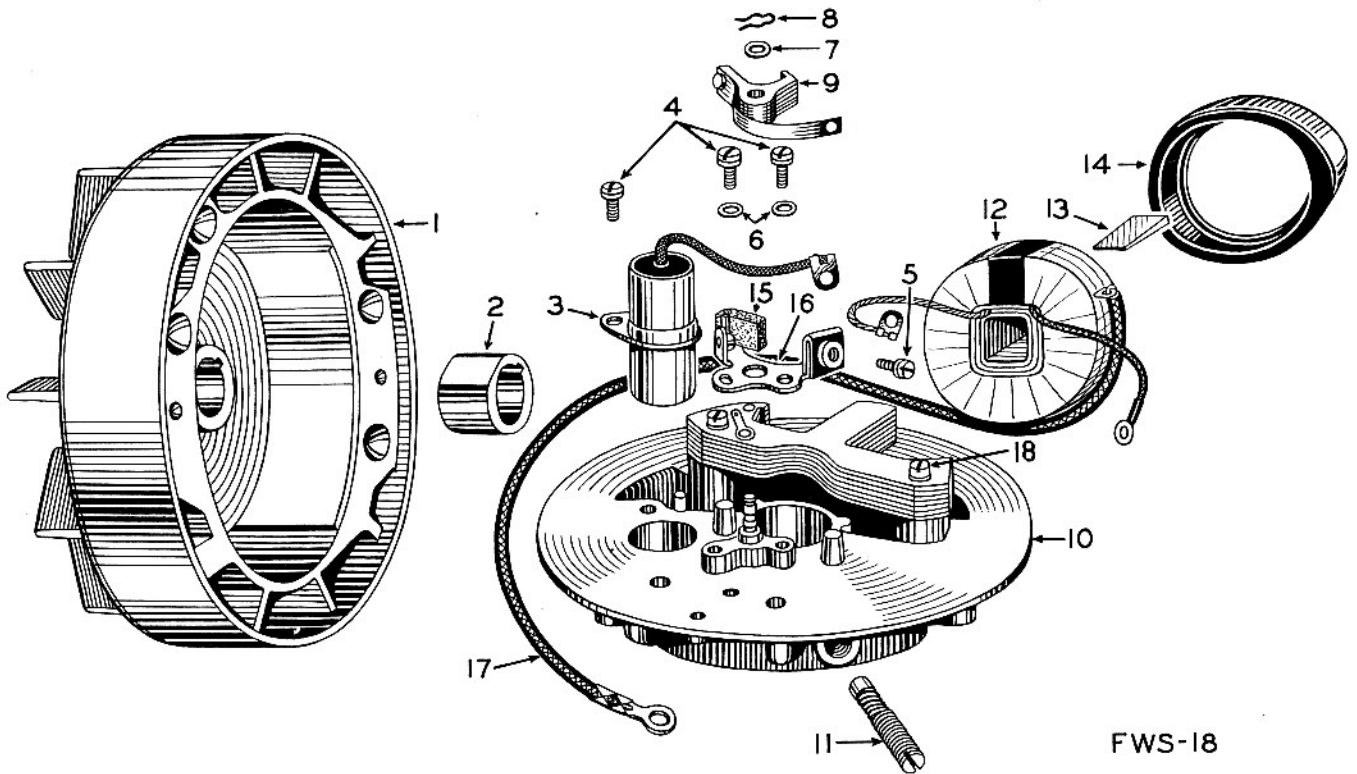
In order to simplify the identification of parts for each of the above types, illustrations showing models which are representative of these types are shown on the following pages with a list of the magneto specifications and outboard manufacturers using each type.

In ordering replacement parts, use the illustration which pictures your magneto, find the specification number which corresponds to the one stamped on your magneto and order the parts from those shown in the tables as being included in that specification.

A stator plate replacement assembly consists of the coil core group, assembled to the stator plate.

A stator plate replacement unit consists of the coil core group, coil, condenser and contact set assembled to the stator plate.

Should the magneto require any service other than breaker points or condenser, it is recommended that the complete magneto be taken to an Authorized Wico Service Station.

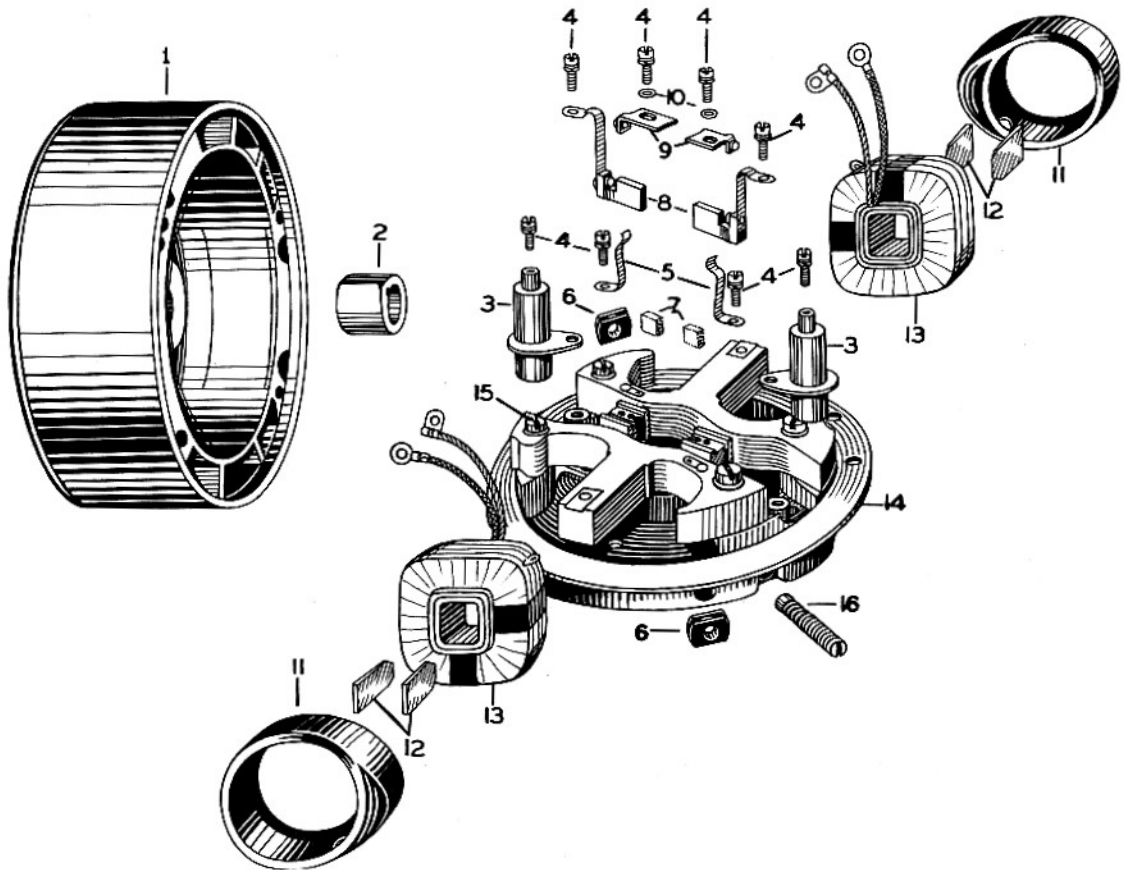


FWS-18

SERVICE PARTS FOR SPECIFICATION FW-1724, 1802, 1842, OUTBOARD MOTOR APPLICATIONS

Ref. No.	Part No.	Part Name
1		Rotor (see Table of Variable Parts)
2		Breaker cam (see Table of Variable Parts)
3		Condenser group (see Table of Variable Parts)
4	5411-F	Fixed contact clamp screw (SEMS)
4	5411-F	Condenser clamp screw (SEMS)
5	6017-F	Breaker spring clamp screw
6	IXA-256	Fixed contact clamp screw washer
7	3219-F	Breaker arm pivot washer
8	4210-F	Breaker arm lock
9		Breaker arm group (Use X5474-F)
10		Stator plate replacement assembly (see Table of Variable Parts)
11	X3428-F	Friction shoe group
12		Coil group (see Table of Variable Parts)
13	10383-F	Coil wedge
14	5420-F	Coil terminal protector
15	6318-F	Cam wiper felt
16		Fixed contact group (Use X5474-F)
17	X5853-F	Lead wire group (11")
	* 5414-F	Lead wire bushing
	* 5428-F	Core screw
	* 10407-F	Spacing washer

* Not illustrated



**SERVICE PARTS LIST SPECIFICATIONS FW-1723, 1725, 1737, 1738, 1740B, 1741B
1768, 1770, 1789, 1883 OUTBOARD MOTOR APPLICATIONS**

Ref. No.	Part No.	Part Name
1		Rotor (see Table of Variable Parts)
2		Breaker cam (see Table of Variable Parts)
3		Condenser (see Table of Variable Parts)
4	5431-F	Condenser assembly clamp screw (SEMS)
4	5431-F	Fixed contact clamp screw (SEMS)
4	5431-F	Breaker spring clamp screw (SEMS)
4	5431-F	Condenser connection screw (SEMS)
5	5461-F	Breaker spring
6	5486-F	Lead wire bushing
7	5446-F	Cam wiper felt
8		Breaker shoe group (Use X5469-F set)
9		Fixed contact (Use X5469-F set)
10	2965-F	Fixed contact clamp screw washer
11	5464-F	Coil terminal protector
12	2264A or B-F	Coil wedge
12	3497B-F	Coil wedge
13		Coil group (see Table of Variable Parts)
14		Stator plate replacement assembly (see Table of Variable Parts)
15	5445-F	Core screw
16	X3428-F	Friction shoe group
16	X5816-F	Friction shoe group (Spec. 1740, 1741, 1883)
	*X2215-F	Lead wire group (Spec. 1761)
	* 2972-F	Shaft key (Spec. 1723, 1725, 1737, 1738, 1740, 1741, 1883)
	* 3081-F	Cam spring washer (Spec. 1740, 1741, 1883)
	* 5884-F	Lead wire
	* 3454-F	Grommet (Spec. 1737, 1738)
	* 5967-F	Lead wire (Spec. 1789)

* Not illustrated

TABLE OF VARIABLE PARTS

Outboard Manufacturers And Models	Spec. No.	ROTOR		CAM		CONDENSER		COIL		STATOR PLATE REPL. ASSY.		CONTACT REPL. SET		STATOR PLATE REPL. UNIT		LIST PRICE
		Part No.	List Price	Part No.	List Price	Part No.	List Price	Part No.	List Price	Part No.	List Price	Part No.	List Price	Part No.	List Price	Complete Magneto
Sears-Elgin 571-58401	FW-1723	Y5439-F	16.00	5465-F	1.15	X5463-F	1.15	X5460-F	4.10	X5471-F	3.50	X5469-F	1.40	X5466-F	11.00	\$26.00
Sears-Elgin 571-58301	FW-1724	Y5419-F	9.00	5416-F	1.15	X5342-F	1.25	X5345-F	4.25	X5472-F	5.60	X5474-F	1.50	X5418-F	13.50	26.00
Sears-Elgin 571-58501 571-58601	FW-1725	Y5439-F	16.00	5465-F	1.15	X5463-F	1.15	X5460-F	4.10	X5485-F	3.50	X5469-F	1.40	X5483-F	18.50	35.00
Scott-Atwater 461, 463, 464, 467	FW-1737	Y5479-F	16.00	5465-F	1.15	X5463-F	1.15	X5460-F	4.10	X5890-F	3.50	X5469-F	1.40	X5880-F	11.00	26.00
Scott-Atwater 465, 466 468, 469	FW-1738	Y5865-F	16.00	5465-F	1.15	X5463-F	1.15	X5460-F	4.10	X6340-F	3.50	X5469-F	1.40	X6339-F	18.50	35.00
Martin Motors Model C Martin-60	FW-1740B	Y5479-F	16.00	5465-F	1.15	X5463-F	1.15	X5460-F	4.10	X5485-F	3.50	X5469-F	1.40	X6277-F	18.50	35.00
Martin Motors Model B Martin-40	FW-1741B	Y6404-F	18.50	5465-F	1.15	X5463-F	1.15	X5460-F	4.10	X5485-F	3.50	X5469-F	1.40	X6277-F	18.50	35.00
Muncie Gear 11A2, 11B2	FW-1768	Y5479-F	16.00	5465-F	1.15	X5463-F	1.15	X5460-F	4.10	X5859-F	3.50	X5469-F	1.40	X5820-F	14.40	26.00
Muncie Gear 11A6, 11A10, 11AA6, 11AA10, 11AA3, 15A 15AA10	FW-1770	Y5479-F	16.00	5465-F	1.15	X5463-F	1.15	X5460-F	4.10	X5894-F	3.50	X5469-F	1.40	X5893-F	18.50	35.00
Muncie Gear 11B4	FW-1789	Y5479-F	16.00	5465-F	1.15	X5463-F	1.15	X5953-F	6.00	X6079-F	4.50	X5469-F	1.40	X5963-F	11.00	28.00
Watermaster Corporation BM46	FW-1802	Y5419-F	9.00	5416-F	1.15	X5342-F	1.25	X5345-F	4.25	X5472-F	5.60	X5474-F	1.40	X5418-F	13.50	26.00
Power Products	FW-1842	Y5419-F	9.00	5416-F	1.15	X5342-F	1.25	X5345-F	4.25	X5472-F	5.60	X5474-F	1.40	X5418-F	13.50	26.00
Martin Motors Model A Martin-20	FW-1883	Y6404-F	18.50	5465-F	1.15	X5463-F	1.15	X5460-F	4.10	X5471-F	3.50	X5469-F	1.40	X6337-F	11.00	26.00

DIRECTORY OF OFFICIAL SALES AND SERVICE STATIONS

UNITED STATES

ALABAMA

Amiston Cain and Blue Electric Co., 201 West 10th St.
 Birmingham Birmingham Electric Battery, Ave. B and 23rd St. S.
 Birmingham Auto Electric & Carburator Co., 2100 2nd Ave. S.
 Birmingham Carburator and Ignition Co., 2114 Third Ave. S.
 Decatur Dathan, Whiddon Implement & Truck Co., 202 S. Oates St.
 Huntsville Mobile Electric Garage
 Montgomery Auto Electric Co., 231 Mifflin St.
 Montgomery Paris Supply Corp., 307 1/2 Central Ave.
 Selma Selma Electric Battery Co.
 Tuscaloosa Warrior Auto Parts Co.

ARIZONA

Coolidge Slater Auto Supply
 Mesa March Auto Electric Co.
 Nogales Universal Electric Co., 313 Marley Ave.
 Phoenix Jones Battery & Electric Co., 318 W. Jefferson St.
 Phoenix H. M. Jones, 6th Ave. & Jefferson
 Phoenix Motor Supply Co., 315 N. Central Ave.
 Safford Safford Auto Supply Co., 720 Main St.
 Tucson Southwest Auto Electric Co., 247 North Stone Ave.
 Yuma Harris Auto Parts, 217 First St.
 Yuma Mentzer & Wilsey

ARKANSAS

Batesville Raw Auto Parts Co.
 Clarksville L. H. King Motor & Equip. Co.
 DeWitt Graves Magneto & Elec. Serv.
 El Dorado Auto Electrical Supply Co., 208 N. Cleveland
 El Dorado Magneto Service & Supply Co., 416 E. Main St., P.O. 300
 England Keston Sewell, Jr., Service
 Fort Smith Hickelbom Mfr. & Impl. Co.
 Harrison E. Stephenson & Olive Sts.
 Helena Delta Magneto Co., 424 Walnut St.
 Hot Springs Riley Henry
 Little Rock "SS"
 Pine Bluff Smith Battery & Elec. Service
 Russellville Hilliard Tractor Impl. Co., 108 W. 8th St.
 Springdale Bear Car Electric Service, Spring St.
 Stuttgart Wegmann & Worman
 Texarkana Wadell Connolly Co., 5th & Stone Lane
 Truman Melton Bros. Co., Highway 63

CALIFORNIA

Bakersfield Automotive Service Co., 2111 Chester Ave.
 Bakersfield H. E. Jaynes & Son, 2300 Chester Ave.
 Berkeley Imperial Valley Auto Electricians, N. 5th & Plaza Sts.
 Chico O. J. Forberg, 122 West 6th St., P. O. Box 432
 Compton Curtis & Christensen, 745 East Compton Blvd.
 Dixon Ed. Lawrence Elec. Service
 El Centro Electrical Service Co., 119 S. 8th St.
 Eureka Wm. E. Cookson, 7th & G. Sts.
 Fillmore Tom Walsh, 224 Central Ave.
 Fresno Electric Laboratories, Inc., 1422 Van Ness Ave.
 Fullerton Don Y. Eichen, 114 N. Madison St.
 Fullerton Gilroy Auto Electric, 22 So. Monterey St.
 Glendale Penner-Pauflf, Inc., 620 S. Brand Blvd.
 Grindley L. M. Ambrose
 Haddaburg Haddaburg
 Hollister Hollister Battery Co., 4th & East Sts.
 Huntington Beach Oilwell Engine Service, 517 16th St.
 Huntington Park Auto Electric Service, 2570 Randolph
 King City George Bridges Battery & Electric Serv., Box 487
 Lancaster Chas. F. Siebenhal
 Lancaster H. S. Webb, 1055 Sierra Way
 Lancaster Pictus Bros. Repair Serv., Box 702
 Long Beach Auto Elec. & Speedometer Co., 516 E. Anaheim
 Los Angeles Brachman Ignition Works, 1450 Long Beach Ave.
 Los Angeles Carburator Electric Service, 1928 East 7th St.
 Los Angeles Carburator Equip. Co., 15th & Hill Sts.
 Los Angeles Jones & Company, 1314 Newton St.
 Los Angeles "Electric Equipment Co., 1611 S. Hope St.
 Los Angeles Southern Cal. Motor Parts, 1201 Santa Fe Ave.
 Marysville Electric Hospital, 5th & G. Sts.
 Merced Harris Automotive Service, 843 17th St.
 Modesto Willinger Automotive Electric, 1717 E. 17th St.
 Monrovia L. O'Connor, 123 S. Myrtle St.
 Napa Joe Drapnick, 1318 Main St.
 Oakland Downtown Battery & Elec. Co., Inc., 1954 Webster St.
 Ontario McCarter & Leininger, 301 W. "A" St.
 Oxnard Oxnard Auto Electric Co., 318 A St.
 Pasadena C. E. Pannock-Elec. Serv., 240 N. Hill Ave.
 Paso Robles Hibbard & Hibbard, 1233 Spring St.
 Petaluma J. H. Stone, 440 Main St.
 Petaluma Pedranti Autom. Serv., 326 Main St.
 Pomona Frank W. Loney, 144-148 West 4th St.
 Porterville Porterville Battery Works, 2nd & Oak Sts., Box 1030
 Red Bluff Tehama County Battery & Electric, 535 Main St.
 Redding, Valentines Electromotive Service, 1715 Calif. St.
 Riverside "Bridg" Wilson, 4380 Market St.
 Sacramento Langner & Harmon, 1116 15th St.
 Salinas Dillard Electric Service, 249 S. Monterey St.
 San Bernardino Harlow & Marshall, 416 5th St.
 San Bernardino Palace Autom. Electricians
 San Bernardino Place Auto Electric, Court & G. Sts.
 San Diego Carlon & Simpson, Santa & Ash Sts.
 San Francisco "Auto Elec. Sup. Co., an Nestor Ave.
 San Gabriel Long & Kostner, 1523 S. San Gabriel Blvd.
 San Jose Ralph Berggren Elec. Serv., 296 W. Santa Clara St.
 San Jose Coo's Auto Service, 6th & Santa Clara Sts.
 San Luis Obispo Loper & Anderson, Nipomo & Higuera Sts.

CONNECTICUT

Bridgeport D'Eta Elec. Co., 1330 Fairfield Avenue
 Danbury Humphrey Brothers, Inc., 143 White St.
 Hartford Hartford Automotive Service, 118 Albany Ave.
 Hartford McCallum Motor Service, 78 Maple Ave.
 Hartford Manchester, Norton Electrical Instrument Co., Hilliard St.
 New Haven New Haven Auto Electric Sales & Service Co., 120 Goffe St.
 New London Green Autom. Service, 20 Truman St.
 Norwich Cream Automotive Service, 47 North Main St.
 Stamford Auto Elec. & Battery, Inc., 745 Main St.
 Torrington Bartram Auto Electric Co., 176 East Main St.

DELAWARE

Dover Auto Battery Service Co.
 Wilmington The Magneto & Auto. Elec. Co., 607 French St.

DISTRICT OF COLUMBIA

Washington Croel Bros., 1814 14th St. N.W.
 Washington Miller Dudley Co., 1716 14th St. N.W.

FLORIDA

Arcadia Arcadia Battery & Elec., 100 S. Park Ave.
 Clearwater Auto Electric
 Coconut Grove Castberry Repairs, 2954 Oak Ave.
 Daytona Beach P. & M. Carburator Ignition, 404 N. Beach St.
 Daytona Beach Robertson Electric Service, 412 N. Beach St.
 Dunell, A. O. Jeffers Batt' & Elec. Serv., 19 Orange Ave.
 Fort Lauderdale, Rowley Batt' & Elec., 615 N. E. 1st St.
 Ft. Meyers Jack Bester Auto & Marine Elec., 16 Bayview Ct.
 Fort Pierce Auto Parts & Serv. Co., N. 4th & Cedar Pl.
 Gainesville White Electric & Battery Service, 722-728 West University Ave.
 Jacksonville Gilbert's Magneto Exchange, 22 E. Beaver
 Jacksonville Magneto Battery & Electric Co., 14 Union St. W.
 Jacksonville "Spencer Auto Electric, 40 W. Beaver St.
 Lakeland Goble Auto Elec., 316 N. Kentucky
 Marianna Hudnall's West Florida Equip. Co.
 Miami "Electrical Equipment Co. of Florida, 422 W. 4th St.
 Miami Florida Diesel Serv. Co., 1930 N. Miami Ave.
 Miami Mosley Elec'l Service, 671 N. W. 5th St.
 Miami Outboard Motor Sales & Service, 5011 N. W. 7th Ave.
 Ocala Rupert Caviness, Inc. S. Magnolia Ave.
 Ocala Rush's Truck & Tractor Co., 1327 N. Magnolia St.
 Orlando Al Huppel, 443 W. Central
 Pensacola Pensacola Electric Garage
 Pensacola Pefrae Bros.
 Plant City Super Service Station
 St. Petersburg Frank & Murray, 7th St. & 1st Ave. So.
 Sanford "Electric Service Co., 207 Magnolia St.
 Tallahassee Beter Alford Co., 209 E. Call St.
 Tampa Reeves Batt' & Electrical Mfg. Co., 1109 Tampa St.
 Tampa "Spencer Auto Electric Co., 607 E. Cass St.
 West Palm Beach Sutcliffe's Electric Co., Cor. 2nd & Olive Sts.

GEORGIA

Albany Keenan Auto Parts Co., 112 Front St.
 Americus Peacock's Garage, 325 W. Lamer St.
 Atlanta "Auto Electric & Magneto Co., 477 Spring St. N. W.
 Atlanta Magneto Sales & Service Co., 18 Pine St. N. W.
 Augusta Auto Electric & Carburator Service, 408 Elm St.
 Augusta Magneto & Electric Co., 527 Broad St.
 Brunswick Flanders Auto Elec. Co., 2030 Norwalk St.
 Cairo Walker's Garage, 1230 Norwalk St.
 Columbus Motor Parts & Service, Inc., 1235 First Ave.
 Macon Carburator & Electric, 706 Third St.
 Savannah Savannah Electric & Mag. Co., 411 E. Liberty St.
 Valdosta, R. H. Bassford, Auto Co., 301 N. Patterson St.

IDAHO

Boise "Oakley Automotive, 1105 Idaho St.
 Burley Gould Motor Tuning, 299 E. Main St.
 Idaho Falls Idaho Falls Carburator & Electric, 14th St.
 Lewiston Flanary & Gustin, 130 Ninth St.
 Lewiston Osterman Diesel & Electric Co., 114 9th St.
 Moscow Kenby Auto & Tractor Elec.
 Moscow Nelson Auto Electric, 618 S. Main St.
 Pocatello Billmeyer's, 240-46 S. Arthur
 Pocatello Electric Service Co., 333 N. Main
 Twin Falls Kyle M. Waite, Electrician, 221 Main St.

Tulare Peterson Auto Electric, 154 N. J. St.
 Turlock Heckendorf Battery & Electric Service
 Van Nuys Van Nuys Carburator & Ign. Serv., 6212 Van Nuys Blvd.
 Ventura Anderson Auto Electric, 79 S. California St.
 Visalia Steve Gagnos, 607 Main St.
 Visalia Seney & Leaper, 203 N. Locust
 Watsonville Watsonville Auto Electric, 14 E. Lake Ave.
 Whittier Daniel's Goodyear Service, 402 Philadelphia (East)
 Whittier Firestone Auto Sup. & Ser. Stores, Hadley & Comstock Sts.
 Whittier Whittier Auto Electric, 121 N. Milton Ave.
 Willows Dean Battery & Electric Co.
 Wilmington Central Garage, 127 W. "B" St.

COLORADO

Alton Fessler Machine Shop
 Burlington Pralle Electric Shop
 Colorado Springs Grandall-Bryan Co., 120 N. Weber St.
 Denver Auto Electric Appliance Co., 1290 Acoma St.
 Denver Brown Battery & Electric Co., 1343 Acoma St.
 Denver Central Supply Co., 1171 Lincoln St.
 Denver Magneto Specialty Co., 2224 Walton St.
 Denver Pile Bros., Inc., 148 Broadway Ave.
 Denver "Spitzer Electric Co., 43 W. Ninth St.
 Durango Rocky Mountain Electric Al
 Durango Simpson Automotive, 1075 Main St.
 Englewood Colorado Auto Service, 16 W. Hampden Ave.
 Fort Morgan Williams Auto Elec. Serv., 420 W. Plate
 Greeley Roy L. Smith
 Golden C. H. Schmidt Garage, 411 Denver Ave.
 Julesburg A. R. Sepp
 Lamar Motor Supply Co., 207 N. Main St.
 Limon F. E. Yanier Repair Shop
 Longmont John L. Brown, 517 Main St.
 Loveland Parter E. Riggsbach, 518 Cleveland Ave.
 Monte Vista Joe Riggsbach, 134 Washington St.
 Montrose Martin MacElin Brothers, Inc.
 Ovid "Ovid"
 Pueblo "Marlin-Harlingen Service
 Pueblo R. W. T. Motor Service, 727 N. Santa Fe Ave.
 Rocky Ford Rocky Ford Auto Parts
 Sterling Marsden Electric Service
 Trinidad Trinidad Battery Co.
 Wray Tri-State Distributors

CONNECTICUT

Bridgeport D'Eta Elec. Co., 1330 Fairfield Avenue
 Danbury Humphrey Brothers, Inc., 143 White St.
 Hartford Hartford Automotive Service, 118 Albany Ave.
 Hartford McCallum Motor Service, 78 Maple Ave.
 Hartford Manchester, Norton Electrical Instrument Co., Hilliard St.
 New Haven New Haven Auto Electric Sales & Service Co., 120 Goffe St.
 New London Green Autom. Service, 20 Truman St.
 Norwich Cream Automotive Service, 47 North Main St.
 Stamford Auto Elec. & Battery, Inc., 745 Main St.
 Torrington Bartram Auto Electric Co., 176 East Main St.

DELAWARE

Dover Auto Battery Service Co.
 Wilmington The Magneto & Auto. Elec. Co., 607 French St.

DISTRICT OF COLUMBIA

Washington Croel Bros., 1814 14th St. N.W.
 Washington Miller Dudley Co., 1716 14th St. N.W.

FLORIDA

Arcadia Arcadia Battery & Elec., 100 S. Park Ave.
 Clearwater Auto Electric
 Coconut Grove Castberry Repairs, 2954 Oak Ave.
 Daytona Beach P. & M. Carburator Ignition, 404 N. Beach St.
 Daytona Beach Robertson Electric Service, 412 N. Beach St.
 Dunell, A. O. Jeffers Batt' & Elec. Serv., 19 Orange Ave.
 Fort Lauderdale, Rowley Batt' & Elec., 615 N. E. 1st St.
 Ft. Meyers Jack Bester Auto & Marine Elec., 16 Bayview Ct.
 Fort Pierce Auto Parts & Serv. Co., N. 4th & Cedar Pl.
 Gainesville White Electric & Battery Service, 722-728 West University Ave.
 Jacksonville Gilbert's Magneto Exchange, 22 E. Beaver
 Jacksonville Magneto Battery & Electric Co., 14 Union St. W.
 Jacksonville "Spencer Auto Electric, 40 W. Beaver St.
 Lakeland Goble Auto Elec., 316 N. Kentucky
 Marianna Hudnall's West Florida Equip. Co.
 Miami "Electrical Equipment Co. of Florida, 422 W. 4th St.
 Miami Florida Diesel Serv. Co., 1930 N. Miami Ave.
 Miami Mosley Elec'l Service, 671 N. W. 5th St.
 Miami Outboard Motor Sales & Service, 5011 N. W. 7th Ave.
 Ocala Rupert Caviness, Inc. S. Magnolia Ave.
 Ocala Rush's Truck & Tractor Co., 1327 N. Magnolia St.
 Orlando Al Huppel, 443 W. Central
 Pensacola Pensacola Electric Garage
 Pensacola Pefrae Bros.
 Plant City Super Service Station
 St. Petersburg Frank & Murray, 7th St. & 1st Ave. So.
 Sanford "Electric Service Co., 207 Magnolia St.
 Tallahassee Beter Alford Co., 209 E. Call St.
 Tampa Reeves Batt' & Electrical Mfg. Co., 1109 Tampa St.
 Tampa "Spencer Auto Electric Co., 607 E. Cass St.
 West Palm Beach Sutcliffe's Electric Co., Cor. 2nd & Olive Sts.

GEORGIA

Albany Keenan Auto Parts Co., 112 Front St.
 Americus Peacock's Garage, 325 W. Lamer St.
 Atlanta "Auto Electric & Magneto Co., 477 Spring St. N. W.
 Atlanta Magneto Sales & Service Co., 18 Pine St. N. W.
 Augusta Auto Electric & Carburator Service, 408 Elm St.
 Augusta Magneto & Electric Co., 527 Broad St.
 Brunswick Flanders Auto Elec. Co., 2030 Norwalk St.
 Cairo Walker's Garage, 1230 Norwalk St.
 Columbus Motor Parts & Service, Inc., 1235 First Ave.
 Macon Carburator & Electric, 706 Third St.
 Savannah Savannah Electric & Mag. Co., 411 E. Liberty St.
 Valdosta, R. H. Bassford, Auto Co., 301 N. Patterson St.

IDAHO

Boise "Oakley Automotive, 1105 Idaho St.
 Burley Gould Motor Tuning, 299 E. Main St.
 Idaho Falls Idaho Falls Carburator & Electric, 14th St.
 Lewiston Flanary & Gustin, 130 Ninth St.
 Lewiston Osterman Diesel & Electric Co., 114 9th St.
 Moscow Kenby Auto & Tractor Elec.
 Moscow Nelson Auto Electric, 618 S. Main St.
 Pocatello Billmeyer's, 240-46 S. Arthur
 Pocatello Electric Service Co., 333 N. Main
 Twin Falls Kyle M. Waite, Electrician, 221 Main St.

ILLINOIS

Anna Mowery Electric Shop, 120 West Davis St.
 Aurora United Auto Service, 47 S. Lake St.
 Belleville Blinn Bros. Batt' & Elec. Serv., 404 E. Main St.
 Bviduette Burt's Auto Electric, 116 East Pleasant St.
 Cairo Bloomington Battery Service, 207-209 S. East St.
 E. & E. Auto Supply, 218 S. Sycamore Sts.
 Canton Knock Battery & Elec. Co., 227 N. First Ave.
 Centralia Holtkamp Electric Service, 419 W. Main St.
 Champaign Fred Swanson Mch. Shop, 24 E. Columbia Ave.
 Chicago Crawford Ignition Co., 3916 Fullerton Ave.
 Chicago "Illinois Auto Electric Co., 201 Indiana Ave.
 Clinton Lowe's Garage, 300 W. South St.
 Crossville Holtkamp Electric Service
 Danville Honor Auto Electric Service, 209 W. Main St.
 Decatur Decatur Battery Service, Inc., 343 E. Main St.
 Dixon Garage Supply, 205 E. First St.
 Effingham R. and B. Electrical Shop, 108 South 4th St.
 Jacksonville Frank J. Adams, 250 S. Grove Avenue
 Fairfield Fleming's Magneto Serv., R.F.D. #3
 Freeport Freeport Battery Serv. Garage, 11 N. Adams Ave.
 Galena Galsburg Machine Works, 260 S. Seminary St.
 Greenville Illinois & Supply Co., 305 S. 3rd St.
 Hardin Al Retzer
 Harvard Laech Auto Parts, 17 N. Ayers St.
 Jacksonville Walborn Electric Co., 232 W. Court St.
 Joliet Zinser Backstrom Co., 4 N. Michigan St.
 Kankakee Electrical Equipment Co., 231-35 N. Dearborn Ave.
 Lincoln Auto Electric, 417 E. Palati
 Macomb Slusher Battery & Elec., 341 N. Lafayette St.
 Mattoon Auto Electric Co., 1905 Charleston Ave.
 Mendota Snyder Auto Electric Service, 911 Sixth Ave.
 Morris Vanland Implement Co., 317 W. Washington St.
 Mt. Carmel Deck Hill Battery Co.
 Mt. Vernon National Auto Supply, 10th & Jordan Sts.
 Murphysboro Jackson County Batt. Co., 215 S. 10th St.
 Olney Polson Ignition Service, 104 N. Boone St.
 Oquawka Ross Electric Co., 313 West Madison
 Paxton Johnson's Elec. Shop, 107 Park St. (East)
 Peoria, Automotive Ignition Serv. Co., Inc., 522 Franklin St.
 Peoria Electrical Testing Co., 300 Knoxville Ave.
 Pontiac Wolf's Battery & Elec. Co., 301 Oak St.
 Princeton, Geo. M. Bower Tractor Service, 436 S. Main St.
 Quincy Abbott Battery & Electric Co., 113 N. 10th St.
 Rockford Eric J. Gustafson, 413 S. Winnebago St.
 Rockford Peterson Battery & Elec. Serv., 207 S. Winnebago St.
 Rock Island Lohse Automotive Service, 430 17th St.
 Salem Oil Field Engine Works, R. R. No. 2
 Springfield Chagnon Service Co., 913 S. Mason St.
 Sterling Mylin's Agricultural Store, 222 East Third St.
 Sycamore Butow's Garage, 325 Elm St.
 Taylorville R. B. Reams Elec. Serv., Park & Webster
 Watsela Watsela Mag. & Elec. Serv., 500 Walnut St.

INDIANA

Anderson Brown Electric Co., 1219 Main St.
 Bloomington Full-up-Pep Bath, 120 S. College
 Brazil, Hudson Battery & Electric Serv., 517 E. National Ave.
 Crawfordsville Synder Battery & Elec. Serv., 107 E. Market St.
 Delphi Keller's Electric Serv., State Rd. #39
 Elkhart Auto Specialties Co., 216 1/2 Iyer Ave.
 Elkhart Long Auto Service, 116 Jefferson St.
 Evansville Automotive Electric Service, Inc., 300 Ingle St.
 Evansville Moutoux Auto & Mch. Co., 511 Locust St.
 Fort Wayne Auto Electric Service, Inc. Baker at Harrison St.
 Fort Wayne McComb Ignition Corp., 1117 S. Barr St.
 Goshen Martin's Electric Service, 253 Washington St.
 Gary Pella Auto Batt. & Elec., 2157 Broadway
 Goshen Goshen Auto Elec. & Brake Serv., 122 E. Washington St.
 Hammond Quint Bros., Inc., 257 Douglas St.
 Huntington, Harry's Tire Shop, Inc., 39 W. Washington St.
 Indianapolis "Gulling Auto Elec. Co., 450 N. Capitol St.
 Indianapolis Equipment Service Co., 727 N. Illinois St.
 Indianapolis, Ryan Auto Parts Co., 602 E. Washington St.
 Kokomo K. N. W. Auto Electric, 215 N. Main St.
 LaCrosse Gommerville & Zimmerman
 Lafayette The Glenn Elec. Serv., 10 & 9 N. 1st St.
 LaPorte, Bargard's Auto Electric Service, 10 Indiana Ave.
 Logan Logan Electric Serv., 101 N. Main St.
 Marion The Glasser Electric Co., 1005 S. Washington St.
 Monicello Barton Auto Supply, 208 N. Main St.
 Muncie Auto Electric Service, 212 N. Walnut St.
 New Castle Earl S. Hart Elec. Serv., 229 Broad St.
 Rensselaer McComb Battery Co., 21 S. Van Rensselaer
 Richmond Auto Elec. & Carburator Serv., 111 S. 9th St.
 Shelbyville Bob's Electric Service, 21 E. Broadway
 South Bend McComb Battery Co., 431 S. Main St.
 Terre Haute Smith & Decker Auto Electric Serv., 1027 Washburn
 Terre Haute Terre Haute Battery & Elec., 32 N. 5th St.
 Valparaiso Stephens Service Co., E. Lincolnway
 Vincennes Ace Auto Electric Service, 11 S. Fourth St., Box 36
 Vincennes Auto Elec. Corp., 14 S. 6th St.
 Washington Auto Electric Service, 208 E. S. St.

IOWA

Algon Thompson Distributing Co., E. State & N. Lantry
 Armstrong Pappas Garage & Electric Service
 Atlantic Jobs Tire & Electric Service
 Bella Plaine F. L. Santok Auto Supply Co., 807 13th St.
 Boone Erickson Auto Elec. Serv., 7th & Keeler Sts.
 Burlington Mescham's Electric Serv., 513 W. Main St.
 Carroll Automotive Electric Service, Inc.
 Cedar Rapids Auto Electric Shop, 407 2nd Ave. S. E.
 Charles City Kilmesh Batt. & Elec., 712 E. Clark St.
 Council Bluffs Bellenger Automotive Service, 113-117 E. Broadway
 Cresco Cresco Machine Co., Box 324
 Creston Stearns Electric Co., 314 W. Montgomery
 Davenport Emis Electrical Service, 218-224 Iowa St.
 Des Moines Des Moines Electric Serv., 108 E. 10th St.
 Des Moines, Electrical Serv. & Sales Co., 1313 Walnut St.
 Des Moines, Mag. Carb. & Elec. Co., 1308 Grand Ave.
 DeWitt Dobler Battery & Electric
 Dubuque Central Battery & Elec. Co., 457 3rd Main St.
 Earlville Electric Motor Service, 51 1st Ave. S.
 Fairfield Grandall's Electric Service
 Fort Dodge Electric Service, 806 1st Ave. North
 Ft. Madison Wright Auto Co., 912 1/2 Main St.
 Grinnell Hunter's Electrical Service, 809 5th Ave.
 Hampton Iowa Battery Service Station
 Harlan Peterson Battery Service
 Iowa Falls Pyranid Services, 220 Clinton St.
 Anderson's Mag. Carburator & Elec. Serv., 424 Hamilton
 Jefferson Hamilton Electric Serv., 108 Chestnut St.
 Lake Park Condon's Auto Electric Service, 108 Chestnut St.
 LeMars LeMars Tire Hospital
 Leon Rush Garage
 Marshalltown U. S. Battery & Elec. Co., 101 S. 3rd Ave.

Mason City Central Auto Elec. Co., 25 1st St. S. W.
 Muscatine Harry A. Timm Elec. Serv., Front & Sycamore Sts.
 Oelwein, Oelwein Battery & Elec. Co., 133 S. Frederick St.
 Oskaloosa Everett's Mag. Serv., 212 No. A St.
 Ottumwa Friday's, 115 S. 1st St.
 Red Oak Proker Bros. Garage
 Shenandoah Zimmerman Battery & Elec.
 Sidney Bird's Auto Elec'l Serv., 415 W. Sheridan Ave.
 Sigourney Al's Magneto, Carburator & Electric Serv., 324 Ringgold
 Sioux City Charles S. Wilson, 627 Water St.
 Spencer Dickinson Electric Co.
 Storm Lake West Union Electric Service
 Washington Lovells Implement Co., 523 N. 7th Ave.
 Waterloo, Central Batt' & Electric Co., 718 Sycamore St.
 West Union West Union Oil & Parts Co.

KANSAS

Abilene Meade Battery & Elec. Co., 315 N. Spruce St.
 Anthony Fry Auto Electric Shop
 Arkansas City Exide Service Station, 400 Summit St.
 Ashland Blatley Electric Co., 811 S. Main St.
 Atchison Emi Kaut Electric Service, 920 Commercial
 Atwood Fry Auto Electric
 Beloit Beloit Battery & Electric Co.
 Brewster Osborn Auto & Elec. Co.
 Caldwell Overman Electric Co.
 Clay Center H. N. Tughe Motor Clinic
 Coffeyville Orvil W. Carter, 805 Union St.
 Colby Dougherty Auto Electric, 450 N. Lake St.
 Colwich Stockmen Bros.
 Concordia C. C. Anderson, 715 1/2 Main St.
 Concordia Frank Smith's Garage
 Dighton Farmer's Coop. Oil & Supply Co.
 Dodge City Davis Electric Co., 403 W. Chestnut St.
 El Dorado Hudson Battery & Elec. Co., 417 Main St.
 Elmore Elmore Smith & Kenney
 Emporia Bebermyer Electric Co., 11 E. Fourth
 Emporia Emporia Magneto & Electric
 Eureka Eureka Magneto Company
 Fort Scott Johnson Electric Co.
 Freeport Freeport Garage
 Garden City Kemper Auto Electric Co.
 Garnett Logan Electric & Magneto Service
 Goddard Goddard Electric Co.
 Goodland Clawson Electric Co.
 Great Bend Turner Battery & Electric Co.
 Greensburg Tucker & Bradley
 Grinnell Grinnell Electric Co.
 Hardister A. W. Mohr Garage
 Harper Auto Electric Co.
 Hays Basgall & Sysma, 121 East 8th St.
 Herington Herington Electric Co., 117 N. 2nd Ave.
 Hutchinson F. M. Emerson Garage, 824 Oregon St.
 Hutchinson Hilton Electric Co., 122 E. Sherman St.
 Independence Ben Lundgren Electric Service
 Iola A. H. Davis Electric Co., 202 N. Washington Ave.
 Junction City Meade Battery & Electric Company, 114 E. 7th St.
 Kenington Ed. Nordan Mch. Shop
 Kingman N. E. Hobson & Son, 121 Ave. A & East
 Larned Larned Electric Co.
 Lawrence Darnell Electric, 615 Main St.
 Lenora Smith's Electric Service
 Liberal Cheatum Electric Co.
 Linn Froese Oil Company
 Lyons Turner Battery & Electric
 Madison Madison Service Station
 Madison C. E. Rinker Garage and Magneto Service
 Manhattan Sager Electric Co., 117 N. 2nd Ave.
 Manitoledo The Hanna Hardware Co., Inc.
 Marion Nelson Super Service, 115 E. Main St.
 Marysville "Wall Auto Supply, 718 Broadway
 McCracken McCracken Electric Co.
 McPherson G. O. Swanson Elec. Service, 310 N. Maple
 Milan Milan Garage
 Mt. Hope John Schmidt Garage
 Newton, Bonesteel Magneto Service, 115 West 10th St.
 Norton Hutchinson Battery & Electric Co.
 Oberlin Jenit Auto Electric Co.
 Okechle Oberlin Auto Elec., 211 S. Penn. St.
 Olathe C. J. Porter, 117 N. 2nd Ave.
 Osborne H. E. Sharpe Co.
 Ottawa Gardner Super Service
 Parsons, Walterscheid Farm Equip. Co., 201 Broadway St.
 Pratt Russell Turner Battery & Electric Co., 218 West Hwy 40
 Salina E. S. Cowie Co., 216 W. Ache
 Scott City Storm Machine Shop
 Sedard Hardie Electric Service
 Smith Centre Smith Centre Machine Shop
 Sedan Clie's Electric Service, 405 S. Main St.
 St. Francis Manson Electric Shop
 St. John A's Electric, 318 N. Main St.
 Topeka Burkhardt Battery & Elec. Co., 112 W. 4th St.
 Topeka Lester Automotive Battery & Elec. Co., 212-14 E. 6th St.
 Turon Turon Magneto Service
 Walsley Harries Garage
 Wellington, Jack Lane Chevrolet Co., 310 N. Washington
 Wichita "E. S. Cowie Electric Co., 230 S. Topeka Ave.
 Winfield Barker Magneto Electric, 214 W. 9th St.

KENTUCKY

Ashland Wurts Bros. Specialized Service, 222 17th St.
 Bowling Green Motor & Elec. Supply Co., 523 10th St.
 Lexington Capitol Super Service, 116 W. Main St.
 Lexington "Kentucky Ignition Co., Rose St. at Vine
 Lexington United Service Co.
 Louisville Fulton Corway & Co., 805 W. Main St.
 Louisville "Kentucky Ignition Co., 377-379 S. 3rd St.
 Louisville Schaaf Auto Electric Co., 439 E. Broadway
 Owensboro Collett Bros., 118 St. Ann St.
 Owensboro Owensboro Storage Battery Co., 317 W. 4th St.
 Paducah Storch Electric & Battery Co., 615 Jefferson St.

LOUISIANA

Alexandria Auto Parts & Battery Service Co., Fifth & Jackson Sts.
 Baton Rouge United Service, Inc., 1202 Main St.
 Crowley Acadia Battery Station, 122 E. 4th St.
 Lafayette Auto Parts House, 119 W. Vermillion St.
 Lake Charles Chain Battery System, 805 Hodges St.
 Lake Charles Dunn's Radiator Service, 318 Ryan St.
 Monroe United Elec. Service, Inc., 907 Louisville Ave.
 Morgan City Guidroy Sales & Service, Brashear & First Sts.
 Morgan City John D. Maggio Brothers & First St.
 New Orleans "J. M. Walton, 1009 S. 22 E. St.
 New Iberia H. P. DePriest & Son
 Rochelle H. P. DePriest & Son
 Shreveport "Magneto Ignition Service Co., 804 Louisiana Ave.
 Tullos H. P. DePriest Magneto Service, Box 145
 Ville Platte Guillory Brothers Co., Inc.

MAINE

Bangor Arvid L. Ebbeson, 600 Main St.
 Fort Kent Mr. P. V. Roy

WICO ELECTRIC COMPANY, WEST SPRINGFIELD, MASSACHUSETTS, U. S. A.

Gardner Bailey's Auto Elec. Serv., 165 Bridge St.
Holliston Inghram's, 41-45 Bangor St.
Lowell Palmer King Motor, 171 Middle St.
Portland LaRou Electric Co., 290 Forest Ave.
Presque Isle, Garland's Auto Elec. Serv., 5 Church St.
Saco Knight-Holt Co., 538 Maine St.
Van Buren Gray's Auto Serv., Main St.
Waterville M. R. D. Lovjoy, 20 Charles St.

MARYLAND

Baltimore *Parks & Hull Auto. Corp., 1033 Cathedral St.
Easton Robert L. Roberts
Hagerstown Auto Electric Service Co., 13 E. Baltimore St.
Salisbury Wilby Battery Co.

MASSACHUSETTS

Boston *A. & J. Auto Ignition Co., 55 Brighton Ave.
Fall River Williston Auto Electric Serv., 81-85 Troy St.
Fitchburg Fitchburg Auto Electric Co., 214 Lunenburg St.
Framingham W. H. Barr Battery & Service Station, 245 Howard St.
Greenfield Krohn's Automotive Serv., 151 Federal St.
Haverhill Mark Mordecai, 23 Emerson St.
Lawrence Connor Battery Ignition Service, 636 Essex St.
Lowell Markus Motor Service, Inc., John & French Sts.
New Bedford C. E. Beckman Co., 11-35 Commercial St.
Newburyport Davis Electric Service, 50 Merrimac St.
N. Adams Noel, Inc., 218 Ashland St.
Norfolk Klips Auto Electric Service, 12 Grand St.
Pittsfield Arthur E. Smith Auto Electric, 75 Tyler St.
Salem George D. Grant, 29 Derby St.
Salem C. F. Hallin Co., of Salem, 274 Derby St.
Springfield L. W. Jaeger, 2040 Columbus Ave.
Worcester Jenkins & Robinson, 69 Central St.

MICHIGAN

Alma Brown's Garage, 230 W. Superior St.
Ann Arbor Electric Service & Supply Co.
Ann Arbor, A. & L. Battery & Elec. Serv., 529 S. Main St.
Battle Creek Haddock Brothers, 19 Green St.
Bay City Valley Elec. Serv. Co., 1011 N. Washington St.
Benton Harbor Auto Elec. Service, 246 W. Main St.
Coldwater Corson Auto Elec. Serv., 46 E. Chicago St.
Detroit *Auto Electric & Service Corp., 90 Selden Ave.
Detroit Dix Auto Elec. Serv., 3723 W. Vernor Electric Highway
Detroit Greenleaf, Inc., 2272 Jefferson Ave.
Detroit Klann Auto Elec., 10350 Harper Avenue
Detroit Knorr Maynard, Inc., 5243 Woodward Ave.
Detroit Magneto Serv. Co., 1230 Fort St.
Detroit, M. & M. Elec. Service Co., 935 W. Warren Ave.
Eastland Richie Electric Co., 111 N. 11th St.
Flint Gates & Graves, 1600 Detroit St.
Flint Kennedy Parts, 1208 N. Saginaw St.
Grand Rapids Auto Clinic, 13-15 Market Ave.
Grand Rapids Rowardin, Inc., 62-68 Commerce Ave., S. W.

Houghton O. K. Auto Parts, 407 Memorial Ave.
Inwood O. K. Auto Parts, 216 W. Fort St.
Ironing Andriacchi Magneto Serv., 312 W. Division St.
Jackson Hill Piston Service Co., 622 E. Michigan Ave.
Jackson M. & W. Auto Electric, 202 Clark St.
Kalamazoo, M. & B. Battery & Elec., 131 W. Kalamazoo St.
Kalamazoo Ralph M. Ralston Co., 201 N. Park St.
Lansing Alfredson & Smith, 104 E. Lenawee
Lansing General Parts & Serv., Inc., 511 N. Grand Ave.
Lansing Paul Automotive Parts Co., 520 E. Michigan Ave.
Manistee Automotive & Appliance Service Co., River & Smith Sts.
Mt. Clemens Auto Electric Shop, 165 N. Griot
Mt. Pleasant Roy's Magneto Service, 201 1/2 W. Broadway
Muskegon Reliable Tire & Accessory Co., 438 W. Western
Pontiac Auto Electric Shop, 286 S. Saginaw St.
Port Huron Sparling's Battery & Electric, 611 W. Huron St.
Royal Oak Rally Battery Service, 811 S. Main St.
Saginaw Russell Electric Co., 1915 N. Michigan
Sault Ste. Marie Electric Equip. Co., 129 W. Spruce St.
St. James Ouren's Electric Service
Traverse City Mac's Garage
Traverse City Northwestern Electric Serv., 441 E. Front St.

MINNESOTA

Albert Lea Smith Tire & Electric, 216 S. Washington St.
Alexandria Lewis's Auto Electric Co., 110 S. 5th Ave., S.
Austin Austin Carburator & Electric Co., 211 E. Maple St.
Benson Jensen Auto Electric
Blue Earth City Gray Electric & Magneto Service
Brainerd Electric Garage, 7th & Maple Sts.
Crookston Crookston Mfg. Co., 101 N. Main St.
Crookston Joe E. Schroeder, 271 N. Broadway
Detroit Lakes A. & S. Supply Co.
Duluth United Electric Service Co., 301 E. Superior St.
Fergus Falls Olson Auto Electric Service, 121 Cavoy Ave.
Wenoco Walter Benke Garage, 712 W. 10th St.
Grand Rapids 200 Polksgate Ave.
Hallook Kiltsun County Implant Co., Main Street
Hancock Stettner Garage
Hibbing W. E. Horn Auto Elec. Service, 1932 Second St.
Kennedy Johnson Implement Co.
Litchfield Kruger's Garage, 117 W. 2nd St.
Little Falls Larson Mfr. Serv., First St., N. E.
Medison Solie Garage, Box 162
Mankato Mankato Service Co., 628 S. Front St.
Marshall Matt's Carburator & Electric Service, 412 West Main

Minneapolis Fowler Electric Co., 2901 Nicollet Ave.
Minneapolis W. E. Lohr Co., 30 S. 10th St.
Minneapolis W. E. Lohr Co., 30 S. 10th St.
Montevideo Wagon Auto Electric, 208 S. 1st St.
Morris Highland Brothers, 703 Atlanta Ave.
New Ulm Auto Electric Service, 110 N. Broadway
Parkers Prairie Fordor Electric Shop
Pipestone Sturdevant Auto Elec., 112 2nd St., N. W.
Red Wing Red Wing Auto Electric
Redwood Falls Carburator & Elec. Co., 108 East 3rd St.
Rochester Alexander Auto Electric, 320 1st Ave., S. W.
St. Cloud Stevenson's, 22 North 5th Ave.
St. James Ouren's Electric Service
St. Paul Gruber Auto Electric, 263 W. Kellogg Blvd.
Spring Valley Marchant Super Service, 121 Main St.
Thief River Falls Wilson Bros. Auto Elec. Co., 221 First St., E.
Virginia Saranen Auto Elec. Serv., 112 North 2nd Ave.
Virginia Vitzano Auto Electric
Waseca Christenson Battery & Elec. Co., 313 2nd Ave., N. W.
Wells Wells' Garage, Carlson's
Westbrook Brock's Garage
Winsted Nelson Auto Motor Service
Winona Auto Elec. Serv. Co., 118 Main St.
Worthington Fallerder & Haggis Motor Sales, 220 Main St.

MISSISSIPPI

Clarksdale Delta Welding Shop
Greenville Thomson's Battery & Elec. Sta., 217 Main St.
Greenwood D. & N. Auto Parts
Hattiesburg Sarchie Service Co., Inc.
Hattiesburg Carburator & Ign. Co., 306 Hardy St.
McComb Balentine's Service, 112 S. Broadway
Meridian Motor Service & Garage, Inc.
Vicksburg Morrissey's Storage Garage, Inc.

MISSOURI

Cape Girardeau Wagner Electric Serv., Rear 815 Broadway
Chillicothe Industrial Equipment Co., 614 Elm St.
Columbia Tom Funt's Automotive Serv., 112 S. 8th St.

Hannibal Whitney Automotive Serv., 4th & Church Sts.
Joplin Dave's Magneto Service, 622 Wall St.
Kansas City The E. S. Cowie Electric Co., 1819-23 Wyandotte St.
Kansas City Miller Battery & Electric Co., 3011 McGee St.
Mexico Herb Battery & Electric, 216 West Liberty St.
St. Joseph Electrical & Magneto Serv., 711 Angelle St.
St. Louis Medcart Auto Electric Co., 3134 Washington Blvd.
Sedalia Brown's Automotive Clinic, 2nd & Montauk
Springfield Whelan's Elec. Service, 204-8 Parkins St.
Washington Washington Battery Co., 110 Lafayette St.

MONTANA

Butte Rediste Radio Electric
Conrad *Pasley & Spitzer, 20 North 33rd St.
Bozeman Auto Electric Station, 108 W. Main St.
Billings Carburator & Elec. Co., 3107-09 First Ave., North
Butte Beery's Auto Supply, 114 East Broadway
Circle The Inland Motor Co.
Conrad Whitney Motors Service
Cutbank Ficker & Son, 108 N. Central Ave.
Fairview Form & Home Serv.
Glendale Harpster Auto Electric, 120 W. Benham
Great Falls Art & Ross Serv. Co., 320 1st Ave., S.
Great Falls Starter & Battery Co., 512 First Ave.
Hardin Miles & Ulmer Co.
Have 7-0-4 Auto Electric, 108 1st St.
Hogeland Hogeland Motor Co.
Kalispell Peterson Company
Leviston Electric Service Corp., 241 Montana Ave.
Missoula Harold's Elec. Shop, 628 N. 7th
Missoula Red's Repair Shop
Plehnwood Peterson Company
Poplar Andy's Repair Shop
Shelby Klingler's Garage, 20 Main St.
Shelby Lloyd Middleworth, Front St.

NEBRASKA

Alliance Scherer Auto Supply
Auburn Greenberg Electric Service
Beatrice Sprague Elec. Service Co., 304 Court St.
Chadron Tscharnher Bros., 224 East Second
Fair City Taylor's Machine Shop
Fermont Verco Elec. & Battery Co.
Genard Ted B. Miller Co.
Grand Island Reitan Co.
Healing Hastings's Battery & Electric, 212 N. Lexington
Holdrege Bierman's Auto Electric & Radio Service
Keams Bierman's Auto Elec., 9 East 25th St.
Lincoln Carl A. Anderson, Inc., 1637 7th St.
McCook McCook Equity Exchange
Nebraska City Peterson Company
Norfolk Looker Bros., 5th & Madison
North Platte Reitan Service Co., 502 N. Jefferson St.
Omaha *Carl A. Anderson, 16th & Jones Sts.
Osford West's Machine & Electric
Scottsbluff Auto Electric Service, 1410 2nd Ave.
Sidney Hellbush Battery & Elec. Service
Siswater B. C. Robinson
York Murphy Auto Electric, 411 Platte St.

NEW HAMPSHIRE

Manchester Motor Supply Co., 121 S. Main St.
Reno Air Service Co., 241 S. Virginia St.
Reno Autom. & Electrical Supply Co., 322 Sierra St.

NEW JERSEY

Atlantic City Irwin's Auto Elec. Co., 2722 Atlantic Ave.
Bridgeton J. L. Danzenbaker & Son, 145 S. Laurel St.
Camden Cape Paper, 1429 N. 3rd St.
Cedarville, J. L. Danzenbaker's Son, Main St. & Maple Ave.
Dover H. Linterman Auto Electric, 260 E. Blackwell St.
Hackensack Bergen Magneto Co., 58 First St.
Hackensack Hackensack Mag. & Bat. Station, Inc., 17 Main St.
Hackettstown Warren Motor Elec., 246 Main St.
Jersey City Sparrow Hill Service, 854 Communipaw Ave.
Newark Dix Magneto Co., 176 Central Ave.
Newark H. H. Hays, 378 W. 1st St.
Newark Tire Trading Co., 237-241 Halsey St.
New Brunswick Carl's Auto Service, Inc., 29 Albany St.
Peterborough Reliable Magneto Repair Co., 20 Prince St.
North Amboy Wampler's Ltd., 54 New 22 Summer St.
Plainfield F. W. Huttenbach, 347 Washington Ave.
Raritan Carburator & Ignition Serv., 31 S. Bell Ave.
Red Bank Douglas Electric Co., 35 E. Front St.
Somerville Battery & Electric Serv., Inc., Main St.
Trenton Trenton Auto Electric, 26 S. Passaic St.
Vineland Pagano Bros., Inc., 718 Landis Ave.
Washington Washington Auto Parts, Route 30
Wildwood Hill & Bat. & Elec. Serv., 134 E. Schellenger Ave.

NEW MEXICO

Albuquerque Hill's Auto Elec. Serv., 415 W. Marquette St.
Albuquerque Pryor Auto Elec. Serv., 82 N. 4th St.
Albuquerque *Spitzer Electrical Co.
Artesia Industrial Machine Supply & Mfr. Works
Carlsbad Hal Mach. & Welding Co., 102 West Marmok
Clavis Waldman & Brennan, 322 W. 2nd St.
Clavis Crouser Auto Service, 321 West 7th St.
Hobbs Barnes Electric Co.
Las Cruces Cruces Motor Parts, 115 W. Bowman St.
Portales United Auto Stores
Raton Key Electric Serv., 22 Summer St.
Roswell Nixon's Specialized Service, 214-B S. 2nd St.
Silver City Auto Service Co., 224 W. Second
Silver City Silver City Bat'y & Ign. Co., 103 E. College Ave.
Tucuman A-I Auto Electric Co., 113 E. Center St.

NEW YORK

Albany Roemer & Zeller, 376 Central Ave.
Albany J. M. Steinhard, Inc., 340 Central Ave.
Amityville, L. J.
Amityville Battery & Ign. Serv., Broadway & Avon Place
Avon Merik J. Davin, Between Avon & E. Avon
Batavia Hull Electric Service, 225 W. Main St.
Binghamton Waldman & Brennan, 322 W. 2nd St.
Bolivar Bolivar Magneto Co., 60 Wellsville St.
Bolivar J. C. Magneto Serv., 85 Boss St.
Bolivar Magneto Repair & Belling Co., 60 Wellsville St.
Brooklyn Magneto Co., Inc., 1147 Bedford Ave.
Bronx Bronx Johnson Motors, 3395 E. Tremont Ave.
Buffalo Battery Starter Co., 2505 Main St.
Buffalo *Peter Heitrich Elec. Serv., 1032 Elliott Ct.
Buffalo Key Electric Serv., 22 Summer St.
Corfand Boothe's Elec. Serv., 21 Other Creek Pl.
Endicott
Newing Motor Co., Inc., Main St. at Garfield Ave.
Far Rockaway George Smith, 1425 Far Rockaway Blvd.
Flushing J. & A. Brennan, Inc., 35-23 Lefferts St.
Fredonia Peter Zabrsky, R. D. No. 2
Geneva Auto Electric Service, Lake St.
Glen Cove C. Wolter Motor Service, Inc., 112 Glen Cove Ave.
Glen Falls Ehrlich Glen Falls, Inc., 149 Bay St.
Glen Falls Holmes Automotive Service, 41 Park St.
Hempstead, L. I. Oman Bros. & Co., Inc., 236 Main St.
Hickville
Nassau Center Auto Electric Serv., 30-34 Jericho Rd.
Hornell Hornell Auto Supply, 58 Broadway

Hudson Hudson Electric Repair
Hudson Falls Percy E. Carpenter, 7 Martindale Ave.
Jamestown Service Station Sup. Co., 2nd & Lafayette Sts.
Jamestown Strum Bat'y & Elec. Serv., 201 4th St.
Lockport Holland Electric Shop, 67 South School St.
Lockport Pils Service, Niagara & Church St.
Long Island City *Steiner Bros., Inc., North Blvd. at 34th St.
Minneapolis, L. I. Henry Nelson, Jericho Turnpike
Newburgh J. G. Meager, Inc., 99 Broadway
New York City National Ignition Co., 2361 Jerome Ave.
New York Quality Elec. Products Co., 311 W. 59th St.
Niagara Falls Main Auto Electric Service, 319 Main St.
N. Tonawanda Pison Auto Parts Inc., 110 Sweeney St.
Oleok Nyack Carburator Sales & Ser., 258 Main St.
Ogdensburg Ogdensburg Bat. & Starter, 253 Catherine St.
Osceola Henry H. Holt, Inc., 429 1/2 Union St.
Oneonta Oneonta Tire & Auto Parts, Inc., 116 Main St.
Penn Yan Westey R. Turner, Autom. Electrician, 22 Maiden Lane
Port Richmond, L. I. William S. Archer, 1940 Richmond Ter.
Rochester Harmon Automotive Corp., 16 Charlotte St.
Rochester Jerome's Ignition Serv., 110 Webster Ave.
Rochester Rochester Mag. & Starter, 285 Haystack Ave.
Schenectady Ehrlich Electric Service, Inc., 928 State St.
Schenectady C. L. Wuehler, 1015 Erie Blvd.
Sodus De Hondt Bros., Belden Ave.
Syracuse Quality Elec. Products Co., 111 Terrace St.
Troy *Ehrlich Electric Service, 200 Fourth St.
Utica Leo Electrical Co., Inc., 225 Pearl St.
Utica Stiefvater Electric, 320 Lafayette St.
Westbury North Carolina Battery, 621 State St.
Westbury, L. I. Bester Auto Electric Service, 621 State St.
White Plains Allison, Gordon, 174-186 Grove St.

NORTH CAROLINA

Albemarle H. P. Efrid Company
Ashville Battery & Ignition Co.
Charlotte *Carolina Kim & Wheel Co., 306 N. Graham St.
Charlotte Hill's Auto Elec. & Carburator Service, 632 Dowd Rd.
Durham Clark & Sorrell, Inc.
Greensboro Greensboro Auto Elec. Co., 509 S. Spring St.
Hendersonville Huggins Battery & Electric Service, 107 So. Main St.
Lenoir The Flowers Co.
Lenoir Sharpe's Auto Repair, 416 W. Harper Ave.
Raleigh Raleigh Kim & Wheel Co., 321-325 S. Blount St.
Raleigh A. M. Lyons, 281 N. 5th St.
Winston-Salem United Auto Serv., Inc., 118-124 N. Main St.

NORTH DAKOTA

Bismark Wilson Electric Service, 300 S. 3rd
Davids Lake Krick Elec. Service
Diablosun West Motor Parts Co., 205 Fifth St.
Fargo Paul Mann Garage, 208 1st Ave., W.
Fargo Howard B. Hiden, Co., 329 N. 5th St.
Fargo *Reinkind Bros.
Fargo United Elec. Service, Inc., 312 First Ave., North
Glenfield Reiquan Garage
Grand Forks Lyons Auto Supply, 210-18 N. 4th St.
Hazen Wallfah Electric Co.
Jamestown Martin's Radio & Elec. Serv., 213 1st Ave., S.
Langdon Wm. E. Porter
Minot Motor Supply Co.
Minot Wengy's
Oakes Oakes Electric Shop
Valley City Morris Auto Electric, 114 E. Main St.
Wakarusa Auto Electric Service
Williston Williston Auto Electric Service, 121 E. Broadway

OHIO

Alcon Austin Ignition Co., 56 North Main St.
Alcon Automotive Elec. Serv., 65 Glendale Ave.
Alcon Hopkins & Kipp Auto Electric, Inc., 359 Bowers St.
Alcon Valley Auto & Machine Shop, 39 N. Valley St.
Ashland
Ashland Ashland Auto, & Carburator Serv., 4137 Main St.
Ashland Larson Auto Electric, 1819 E. 44th St.
Bellefontaine Brenner Auto Elec. Serv., 112 N. Detroit Ave.
Brown Green Gem Electric Co., 328 S. Main St.
Bryan Dick's Auto Electric, 849 S. Main St.
Cuyahoga Heala's Bat'y & Ign. Serv., 234 N. Sandusky Ave.
Cambertown Magneto Auto Parts Co., 700 Turner Ave.
Canton Carburator Sales & Ser., 328 Walnut Ave., N. E.
Canton Ohio Battery & Ign. Co., 831 N. Market St.
Celina Bester Electric, 121 W. Logan St.
Canton Fred Heiler
Chickasaw Chickasaw Electric
Chillicothe Oil & Battery Serv. Sta., 2nd & Mulberry Sts.
Cincinnati J. W. Harris, 433-435 W. Ninth St.
Cincinnati W. R. Holly Co., 7219 Vine St.
Cincinnati Tri-State Ignition Serv., Inc., 8th & Main St.
Cincinnati Valley Auto Parts, 3711 Madison
Cleveland The Cleveland Ignition Co., 1301 Superior Ave.
Cleveland Meins & Co., 4211 Mayfield Rd., P. O. Box 98
Columbus *Metzert's Magneto Co., 125-125 1/2 St.
Columbus The G. W. Holmes Co., 198 E. Gay St.
Columbus Brooks Ignition Co., 201 E. Spring St.
Columbus The Columbus Ignition Co., 211 Neilson St.
Coshocton Auto Supply Co., 2nd & Second St.
Coshocton Bower Service Center, 133 S. 4th St.
Cynthiana Central Auto Parts Co., 614 Walnut St.
Coyote Cliff Implement Serv.
Dayton Auto Electric Equip. Co., 19 N. St. Clair St.
Dayton Ludlow Battery & Ign. Co., 421 South Ludlow St.
Defiance The Willey & Garman Co.
Delphos Moa Magneto Service, 108
Dunkirk Harry M. Steiner
East Liverpool Wilson Bat'y & Ign. Co., 730 Dresden Ave.
Eaton Johnson Electric Co.
Edgerton Upp Electric Shop
Findlay Bairs Elec. Service, 129 W. Main Cross St.
Fostoria Kinnaman Electric Service, 107 S. Wood St.
Freemont Dodge Service Station, 90 W. State St.
Freemont Mohler Auto Supply Co., 402 E. State St.
Greenville Batten's Elec. & Mag. Serv., 241 Fairview Ave.
Hamilton
Canfield Imp. & Auto Repair, Walnut St. & B. & O. R. R.
Hillsboro Automotive Service & Supply Co.
Hume Yeokam Garage
Jackson Kinser & Disher, 101 W. Winding St.
Jackson Blodgett Armature Co., 117 Bedford Ave.
Lima Lima Storage Battery Co., 220 W. Elm St.
Logan The Meldrum St. Clair Co., 51 So. Mulberry St.
London London Parts Co., 2505 Main St.
London Moore & Myers, 295 Broadway
Malinta Heckler & Co.
Manitowish Forts Auto Electric Service, 65 N. Franklin
Manitowish Rex Gilbert Auto Serv., 355 Marion Ave.
Marion Marquette Ignition Co., 181 Front St.
Marion W. Dan Davis, Inc., 137 W. Wayne St.
Medina Howard Supply Co.
Medina George Laurent, 111 West Smith Rd.
Midlandtown Walter S. Genkner, 1405 Woodland Ave.
Millersburg Calhoun Electric & Mech. Shop, W. Jackson St.
Newark Airmen Electric Co., 56 W. Main St.
New Philadelphia Electric Garage, Rear 240 W. High Ave.
N. Baltimore Iroun's Auto Serv., 222 N. Main St.
N. Baltimore Bennett Electric, 211 1/2 S. State St.
Norwood Hauss & Company, 2075 Mills
Oak Harbor Oak Harbor Implement Co.
Painesville Sanborn Motor Equip. Co., 54 N. State St.

Port Clinton Black Machine Shop, 80 Madison Ave.
Port Clinton Budd's Auto Service, Jefferson St.
Portsmouth M. P. Batten, 401 4th St.
Sandusky Asher Bros. Company, First of Erie Sts.
Sandusky Howard Conroy Parts & Ser. Garage, R. D. No. 2
Sandusky Dunson Supply Co., 328 N. Main St.
St. Clairsville Elow Battery Co.
Steubenville Autom. Eng. & Sales Co., 25 W. Washington St.
Steubenville Tobin Auto Elec. Service, Market St.
Toledo Rogers Auto Electric Service, 77 Jefferson St.
Toledo *The Electric Power Maintenance Co., 26-30 17th St.
Toledo Toledo Auto Elec. Co., 28-17th St.
Toledo Hugo E. Walker, 416 London St.
Upper Sandusky Lincoln Highway Electric Shop, 321 S. Sandusky Ave.
Van Wert Chidister's Garage, Corner Market & Central
Washington M. P. Batten, 401 4th St.
Wash. Court House Chaffin Auto Elec. Serv., 118 Central Pl.
Waynesfield Howell Traffic Co.
Willard Fred Heiler
Wilmington C. M. Cashman, 377 E. Main St.
Worway Wooster Storage Battery Co., 528 Liberty St.
Youngstown Tri-State Distributors
Youngstown Weaver Electric Co., 11-13 W. Market
Zanesville DuChanois Bat'y & Elec. Co., 135 W. Rayn Ave.
Zanesville Electric Equipment Co., 817 Market St.
Zanesville Granger Carburator & Ign., 422 South St.
Zanesville Weller Auto Parts, 53 S. 3rd St.

OKLAHOMA

Ada Marlin Clark Implement Co., 210 W. 12th St.
Ada Bill Laby Elec. Service, 207 S. Main St.
Alva Alva Bros. & Electric
Alva Lee's Battery & Electric, 617 Barnes
Anadarko McDiffy Auto Supply
Armore Auto Elec. Sales & Ser. Co., 521 West Main St.
Barleeville Entler Auto Supply, 377 E. Main St.
Barleeville Waits Ignition Co., 214 East 4th St.
Blackwell Blackwell Auto Parts Co.
Bristow Brace Battery & Electric Co., 107 W. 5th St.
Bristow Pat Benson
Cherokee R. E. Allen Serv., P. O. Box 113
Chickasha Barton Motor Supply, 704 Choctaw
Clinton Clinton Electric Co.
Clinton Bartal Parts & Machine, 127 E. Main St.
Cushing DeJarnett Battery & Elec. Co.
Drumright Wallman Battery Co., 313 E. Broadway
Duncan Duncan Elec. Co., 104-108 N. 10th St.
Durant Pal Benson
El Reno Turner Auto Elec. Co.
El Reno S. E. Cowie Electric, 127 E. Main St.
Enid Garfield Battery Co., 220 Broadway
Fairview Young Hardware Co.
Frederick Motor Supply Co., 116 South 9th St., Box 722
Guyton Clyscomb Electric Co.
Hinton Walter Reckard
Hobart Morgan Battery Shop, 119 W. 3rd St.
Hobart Waller's Oil & Electric, #710 S. Regan
Idabel Griffith Hardware Co.
Kingfisher Griffith Hardware Co.
Lawton Stephens Bros. Elec. Co., 310 S. 5th St.
McAlester M. L. Talbot Co.
Medford Hulo's Service
Muskogee Eger Auto Elec. & Magneto, 526 Okmulgee St. W.
Norman Stanley L. Moore
Nowata Nowata Battery Co.
Oklahoma City *American Elec. Ign. 725 N. Broadway
Oklahoma City Oil Field Ign. Parts Co., 325 N. W. Second St.
Oklahoma Wilson Electric Co.
Oklahoma Wirtten & Jackson Co.
Perry Wurts & Daigss
Picher Wood & Rugg
Ponca Auto Electric Co., 118 West 2nd St.
Seminole Magneto Ignition Corp., Box 208
Shawnee J. S. Maloney, 206 W. Main St.
Thomas Mast Elec. & Appliance Co.
Tulsa Electrical & Magneto Co., 309 South Main St.
Tulsa Magneto Ignition Co., 701 W. Fifth Ave.
Tulsa Mathews Auto Electric Co., 402 East 2nd St.
Vinita Tractor Service Station
Wagoner Knick Way Service Station
Watons Joe Stoll Battery & Electric Co.
Waurika Waurika Bat'y Co., 317 S. Main
Woodward Clair Robbins' Tires, 214 Meluskey
Woodward Bosch Electric Co., 724 Eighth St.
Woodward Bosch Electric Co., 1120 W. Main St.

OREGON

Baker Clark Auto Electric Co., 1720 Resort St.
Bend Schuman Auto Elec. Co., 1183 Wall St.
Eugene Clark Battery & Electric, 1991 Oak St.
Gresham G. A. Halton Co.,

WICO ELECTRIC COMPANY, WEST SPRINGFIELD, MASSACHUSETTS, U. S. A.

Pottsville Battery Service Co., 5th & Arch Sts.
Reading Berk's Auto Ignition Co., 104 1/2 North St.
Raw Raw Machine Co.
Scranton Don Reel, 415 Green Ridge St.
Shenandoah Shamokin Battery Ser., 812 North 6th St.
Smyrna Green Battery Ser., 65 Wolcott St.
Tyngs H. L. Franz, 113 West 16th St.
Uniontown Mitchell-Long, Inc., 26 E. Fayette St.
Warren W. W. Wagner Electric Service
Waynesburg Elec. Ser. Co., N. Washington & Franklin Sts.
Wilkes-Barre Rudolph's Elec. Service, 33-35 E. Jackson St.
Williamsport Wentler's, Inc., 3rd & Walnut Sts.
Yeagerport W. W. Wagner Electric Service
York Frank A. Duff, 278 West Market St.

RHODE ISLAND

Providence *A. & J. Auto Ignition Co., 43 Broadway
 Auto Electric Service

SOUTH CAROLINA

Anderson Progressive Machine Works, 125 Murray Ave., Opp. P. & N. Ft. Depot
Beresford Ole Wevick Magneto Shop
Charleston Cravens Auto Elec. Rep. Co., 176 Meeting St.
Clinton *Chandler & Cooper
Colman *Main Sales & Serv., 14132 Taylor St.
Greenville *Battery & Elec. Co., 300 Burcombe St.
Spartanburg Spartan Automotive Service, P. O. Box 789
Sumter Sumter Auto Serv.

SOUTH DAKOTA

Aberdeen Nelson Auto Elec. Co., 309 S. 1st St.
Aberdeen *Kainhard Bros.
Belle Fourche Henderson Bros., 692 1st St., N.
Beresford *Ole Wevick Magneto Shop
Big Spring Magneto Service Co.
Brookings Sturdevant Auto Electric, 274 St. Joe
Coleman Jimmy Cox Magneto Service, 111 E. Pecan St.
Deadwood J. Fountain Electric Service
Gettysburg Nagel's Welding & Mtr. Serv., Box 294
Huron Gen'l Auto Elec. Co., 324 Wisconsin St.
Lebanon Jousand Auto Elec., 34 Main St.
Mitchell Mitchell Auto Elec., 110 N. Lawler
Ogden *Verner Electric
Rapid City Hothel Auto Electric, 274 St. Joe
Sioux Falls Locke Auto Elec. Serv., 230 S. 10th
Sioux Falls Semmi Magneto Shop, 412 S. Main St.
Valley City Morris Auto Electric
Watertown J. J. Margard's Electric, 120 E. 1st St.
Yankton L. J. Larson Elec. Serv., 720 Capitol St.

TENNESSEE

Chattanooga Auto Elec. & Mag. Co., 522 Broad St.
Dyersburg J. M. Collins Co., Inc.
Jackson Johnson City, Automotive Electric Co., 210 W. Market St.
Knoxville *R. T. Clapp Co., 401 N. Broadway
Knoxville McNutt & Burke, Inc., 307 1/2 N. Central St.
Memphis *Automotive Elec. Serv. Co., 982 Linden Ave.
Murfreesboro Murfreesboro Belt Co., 315 W. College St.
Nashville Charles B. Wright Co., 513 McGavock St.

TEXAS

Abilene Hoppo Auto Electric Serv., 1060-70 N. 4th St.
Albany *Masters Electric Service
Alto Model Machine & Repair Shop, 110 Front St.
Amarillo *E. S. Cowie Electric Co., 700 Van Buren St.
Amarillo Wilson Battery & Electric Co., 210 W. 6th St.
Ames Sun Electric Co., P. O. Box 292
Austin Constant Service
Austin Cross-Allen Co., 209 E. 5th St.
Austin Neman Electric Service, 107 W. 5th St.
Balinger *Marsell Bros. Electric Serv.
Beaumont Fred D. Turner, 310 Wall St.
Big Springs Magneto Service Co.
Borger Borger Gas Engine & Mach. Works
Borger Harber Carburetor & Elec. Co., 113 N. Main St.
Breckenridge Oil Field Ignition Co., 720 E. Walker St.
Brownsville Clark Auto Electric Shop
Brownwood Carlson Batt. & Elec. Co., Clark & Anderson St.
Childress Childress Batt. & Elec. Co., 720 Commerce St.
Cisco Walton Tucker Elec. Co., 511 Ave. "D"
Clarendon Herold's Radiator & Elec. Co., Box 585
Coleman Clarke Auto Supply Co.
Coleman Jimmy Cox Magneto Service, 111 E. Pecan St.
Corpus Christi Auto Electric Ser., 315 Chaparral St.
Conroe Herold's Radiator & Elec. Co., 108 W. 3rd Ave.
Dalhart Woolwine Supply Co., 1st & Denrock
Dallas *Beard & Stone Elec. Co., Inc., 2101 Bryan
Dallas The Electromotive Co., 3209 Commerce St.
Dallas J. J. Gibson Co., 2018 Canton St.
Dallas Hargett Elec. Co., Inc., 1811 N. Harwood
Denver City Denver City Electric Co.
Edan Danver Magneto Service
Electra Dave Eakin Electric Service, 433 E. 3rd
El Paso *Clarks Battery & Elec., 423 Texas St.
Fort Worth *Generator Service Co., 1115 Commerce
Freer Electric Service Co.
Friendsville Fred White
Gainesville Sched & Pulte
Graham Fore Bros., 617 Elm St.
Granger Hine & Bohac Garage
Harlingen Grinde Sales Co.
Herford Fullwood Battery & Electric Co., 404 N. Main St.
Houston *Beard & Stone Elec. Co., Inc., Milam at Polk St.
Kilgore *Magneto Sales & Service Co., Box 887
Kilgore J. J. Gibson Co., 218 E. North St., Box 1078
Kingsville Burris Motor Service
Lamesa Painter & Mayfield
Lamesa Walter's Battery & Elec. Co.
Laredo Yearry Battery Company
Levelland Gerlach Battery & Elec.
Littlefield Fred Gerlach Battery & Elec. Co.
Longview Wadel-Connally Hardware Co.
Lubbock Automotive Electric Co., 114 Broadway
McKinney City Auto Parts
Memphis Gerlach Battery & Elec. Co.
Meza Ingram Elec. Shop
Mineral Wells B. B. V. Electric Service
Nocona Walker's Magneto Ign. Co., Box 382
Odessa Electric Serv. & Supply Co.
Odessa Verner Electric Co.
Pedernoch Paduchak Parts Co., P. O. Box 27
Pampa Radcliffe Bros. Elec. Co., Box 151
Pecos Pecos Cylinder Gas Co.
Perryton Patton Motor Supply Co., 103 S. Main St.
Plainview Shock Battery Co., 622 Austin St.
Rosco Kollar & Co.
Rotan Harrison Elec. Service
San Angelo Electric Service Co.
San Antonio Allen Auto Elec. Service, 517 S. Mary St.
San Antonio *S. X. Callahan, 425 N. Flores St.
Sanmar City Sun Elec. Shop
Seaman Shamrock Auto Supply
Sherman Shippe Motor Co., 307 S. Travis St.
Spearsman Delon Kim Battery & Electric
Stamford J. R. Billington Elec. Co.
Stephenville A. B. C. Elec. Co., Box 675
Talia Caruth Battery & Elec. Co.
Tulsa Turkey Hardware Co.
Turnersburg Sun Elec. Co., Box 292, Arp (Mailing Address)
Vernon Wadel-Connally Hardware Co., 116 E. Line St.
Victoria Bernhard Electric Co.

Waco Beard & Stone, Electric Co., 925 Washington Ave.
Weatherford Ward & Ward Motor Serv.
Wichita Falls Wichita Falls Battery Co., 908 8th St.

UTAH

Logan J. J. Edwards Service, 96 W. Center St.
Ogden Auto Service Co., 2301 Kiesel Ave.
Provo Bradshaw Auto Parts, 33 W. Center St.
Salt Lake City *Frank Edwards Co., Motor Equip. Div., 601 S. State St.

VERMONT

Burlington Herberg Auto Service, Inc., 204 Main St.
Montpelier Herberg Auto Service, Inc., 20 State St.
Rutland La Francis & Chamberlain, Inc., 37 Strong Ave.

VIRGINIA

Charlottesville Moorefield Battery & Parts Co., 214 W. Water St.
Harrisonburg Central Service Co., 517 S. Mason St.
Newport News Watson-Gies & Co., 34th St. & Virginia Ave.
Lynchburg H. T. Overstreet, 409 Court St.
Norfolk Chas. H. Wallace & Co., 821 Grand St.
Petersburg Virginia Battery & Ignition, 35 E. Bank St.
Richmond Chas. H. Woodward Elec. Co., 709 W. Broad St.
Richmond Hevens & Martin, Inc., 3301 W. Broad St., P. O. Box 5229
Richmond *Richmond Battery & Ignition Corp., 1319 W. Broad St.
Roadside W. B. Clements, Inc., 464 W. Campbell Ave.
Staunton Johnson Electric Co., 331 N. Central Ave.
Winchester Valley Service Station, Inc., 22 Amherst St.

WASHINGTON

Aberdeen Hugh Bailey Service, 111 N. Broadway
Bellingham Northwest Auto Elec.
Bremerton Sheets Auto Marine Electric
Centralia Centralia Auto Electric, 408 West Main St.
Challis Enterprise Electric Co.
Colfax Dave Burns Auto Elec., 303 N. Main St.
Ellensburg Everett Auto Electric, 211 Rucker Ave.
Everett Cordt Auto Elec., 2911 Rucker Ave.
Everett Helms Auto Elec., 1413 Columbia Ave.
Everett Sunset Electric Co., 2917 Rucker Ave.
Olympia Bateman's Garage, 421 State St.
Pulman Ray E. Bortoff
Pomeroy Held's Auto Electric, 802 Grand St.
Seattle C & V Magneto & Electric Co., 119 2nd Ave. S.
Seattle *Pacific Magneto Service, 2719 First Ave. S.
Spokane Chase Engineering Co., S. 221 Monroe St.
Spokane Fred Paul Magneto Elec., 1212 2nd Ave.
Spokane Sunel Electric Co.
Sunnyside Walker's Auto Electric
Tacoma Puget Sound Auto Elec. Co., 705 Pacific Ave.
Tacoma Wright Motor Service, 2201 Pacific Ave.
Walla Walla Johnson Electric Co., 35 S. Spokane St.
Washougal Seth Davidson Sales & Serv., Rt. #1 Box #21
Wenatchee Frank Dennis Auto Electric, 222 S. Wenatchee
Yakima Lay & Nord, 112 So. 2nd St.
Yakima Treub Bros., Inc., 122 S. 3rd St.

WEST VIRGINIA

Bluefield Groseloc Auto Elec. Ser., Mercer & McCulloch Sts.
Camerton *Camerton Tool & Supply Co.
Charleston *MacFadden Ignition, 108 Broad St.
Clarksburg White Elec. Co., 903 W. Pike St.
Huntington Hoffstadt Mag. & Elec. Co., 605 Fourth Ave.
Parkersburg Harris Auto Elec. Co., 822 Mary St. at 7th
Wheeling Ohio Valley Batt. & Ign. Co., 2231-35 Main St.

WISCONSIN

Antigo Kask Brothers, 613 Superior St.
Appleton Schreiner Auto Supply Co., 605 Colgate Ave.
Beloit Fisket-Leavitt Co., Inc., 640 Pleasant St.
Black River Falls Pugh's Batt. & Elec. Shop, 201 Main St.
Burlington *W. B. Clements, Inc., 464 W. Campbell St.
Chippewa Falls Charles Henneman Co., 32 W. Willow St.
East Claire Rogness Battery & Electric
Fond du Lac Erickson Electric Co., 108 S. Macy St.
Franklin Albert A. Hilbert, A. Pass
Green Bay Van's Battery & Electric Co., 317 N. Monroe St.
Janesville Waber Battery & Electric, 18 N. Bluff St.
La Crosse Auto Parts Service, 123-127 N. Third St.
La Crosse Le Crosse Auto Supply Co., 125 S. 4th St.
Lancaster Harris Auto Supply, 141 E. Maple St.
Madison Auto Carb. & Electric Co., 311 N. Bassett St.
Madison Autom. Electric Sales Co., 644 E. Main St.
Madison Madison Armature & Parts, 610-612 University Ave.
Marshfield Auto Electric Service Co., 426 S. Central Ave.
Menasha Auto Electric Co., 132 Nicollet Blvd.
Menomonie Hugh Scales Auto Elec.
Milwaukee Kestner Batt. & Electric Service, 416 W. Kilbourn Ave.
Milwaukee *Wisconsin Magneto Co., 918 N. Broadway
Milwaukee United Auto Service, 1005 N. Edison
Monroe Burkhard Elec. Co., 1715 12th St.
Oshkosh Storage Batt. Service Co., 82 Jackson Drive
Racine Central Batt. & Electrical Serv., Inc., 1591 Douglas Ave.
Readsburg Electric Motor Service, 147 S. Walnut St.
Sheboygan Sheboygan Auto Supply Co., Inc., 1125 Michigan Ave.
Superior Neuman Automotive Service, 1111 Ogden Ave.
Wausau Brecher Batt. Serv. Stn., 363 W. Main St.
Wausau Wausau Elec. & Battery Co., Inc., 112-14 3rd St.
Wisconsin Rapids The Auto Electric Co., 311 Oak St.

WYOMING

Casper Casper Battery & Electric, 119 East 5th St.
Cheyenne Frank Smith Auto Parts, 321 W. 18th St.
Riverton Vogelung Auto Supply
Sheridan Barton Battery & Tire Co., 102 Grinnell St.
Torrington Durham & Schering Electric
Wheatland Griffin's Repair Shop

AUSTRALIA

Adelaide Hannan Brothers, Ltd., 58-62 Flinders St.
Brisbane Exide Battery Service, Ltd., 381 Adelaide St.
Melbourne A. P. Sutherland & Co.
Perth M. J. Bateman, Ltd., 12 Milligan St.
Sydney *Carr & Elliott, 13 Market St.
Sydney Smith Sons & Rees, Ltd., 30 Wentworth Ave.

BERMUDA

Hamilton *Master's Ltd., Front St.
Hamilton *M. M. Du B. Godet, P. O. Box 69
St. John's Alberta
Calgary *R. Hutton, 131 Eleventh St.
Edmonton Zingler's Radio Elec. Serv., P. O. Box 59
Drumheller *Pason's Auto Elec.
Edmonton B & C Auto Elec. & Map. Serv., 10109-106th St.
Edmonton Lovessell Ltd., Jasper Ave. & 106th St.
Edmonton *Smith Battery & Auto-Electric
Grand Prairie Auto Elec. Serv.
Innisfail Robertson's Machine Shop
Olds J. D. Ted Stauffer
Red Deer D. D. Service
Settler Filipino Bros.

BRITISH COLUMBIA

Chilliwack Brit's Ltd.
Courtenay G. A. Kirk
Duncan Wilson & Cabelis, Ltd.

Nanaimo Gen. Auto Sales, Ltd.
New Westminster R. G. Henderson, 831 Cameron St.
Port Moody Penfithon Tin, Copper & Garage
Prince Rupert W. R. Love Electric
Vancouver Boulthae, Ltd., 999 Seymour St.
Vancouver *Jeffrey & Jeffrey, Ltd., 775 Homer St.
Vancouver Edward Lippitt, Ltd., 48 Water St.
Vernon Bloom & Sigalek, Ltd.

Manitoba

Brandon Brown & Murray, Ltd., 130 9th St.
Brandon S. H. Brown, 144 12th St.
Dauphin Kenyon & Mackey
LaPrairie Dillon Electric, Portage
Swan River Don Johansen
Winnipeg *Beattie Auto Elec., 176 Fort St.
Winnipeg Brown & Murray, Ltd., 241 Fort St.
Winnipeg Wilson Auto Elec., 224 Main St.

New Brunswick

Moncton Robert K. Buzell, 21 Bonaccord
Saint John Battery & Electric Service, Ltd., 90 Duke St.

Nova Scotia

Halifax Halifax Ignition, Ltd., 35 Grafton St.
Halifax Ontario

Barrie W. L. Brennan, Bayfield St.
Belleville Quintel Batt. & Serv. Station, 44 Dundas St. E.
Bramford Dell's Automotive, 18 King St.
Brookville Henry's Machine Shop, 46 George St.
Brudenell Welch & Johnston, Ltd.
Chatham Edmondson Automotive Elec.
Chatham Lombard Auto Electric, 7 Dover St.
Corwall F. W. Mearley
J. Williams Don's Auto Electric, 112 1/2 Bay St.
Galt Brewer's Automotive Specialized Service Company
Guelph City Battery & Elec. Service, 169 Woolwich St.
Hamilton Dell's Automotive, York & Bay St.
Odawa Ingersoll Auto Elec. & Mackey
Kingston Frontenac Auto Elec. Service, 19 Brook St.
Kitchener Hart Battery & Ignition Ser., 124 Queen St. S.
London Price Auto Electric, 358 Ridout St., North
London Universal Ignition & Battery Co., 154 Fullerton St.
New Liskeard Bartlett Auto Electric Service
North Bay North Bay Auto Elec. Co., 100 Fraser St.
Orono W. R. Chapman, 16 Church St.
Oshawa Stewart & Hoey, 394 Bank St.
Ottawa Welch & Johnston, Ltd., 474 Bank St.
Owen Sound Frank Slater, 801 2nd Ave. East
Peterborough Cliff Taito Serv., Ltd., 392 Water St.
Sarnia Chalmers Auto Electric, 246 N. Front St.
Sault Ste. Marie Battery Service, 305 Queen St. E.
S. Catherine Suddlers Auto Electric, Ltd.
Sudbury Suddlers Auto Electric, Ltd.
Toronto *A. Cross & Co., Ltd., 45 Elm St.
Woodstock Woodstock Auto Electric Co.
Windsor Howitt Batt. & Elec. Serv. Co., Ltd., 221 Sandwich St., W.

Prince Edward Island

Charlottetown Batt & MacRae, 171 Grafton St.

Quebec

Montreal *International Elec. Co., 1037 Bleury St.
Quebec Marcel Rochette, 80 St. Francois St.

Saskatchewan

Assiniboia Assiniboia Auto Supply
Estevan Henry Brothers
Estevan Ferry Motors
Humboldt W. B. Felton
Lloydminster Radio & Magneto Service
Moose Jaw Great West Batt. & Elec. Co., 2nd St.
North Battleford Radio Elec. Shop, 63 Second Ave.
Prince Albert Stan's Magneto Service, 125 River St., W.
Regina Auto Electric Serv., 125 River St.
Regina *Electric Motor Service Co.
Rosetown Gardner Electric
Saskatoon Davies Electric
Saskatoon Lambert's Electric
Saskatoon G & B Electric Serv.
Tudela *Anon Electric
Wadena M. H. Lockhart
Wawaskese M. S. Reed & Son
Weyburn Weyburn
Yorkton Mills Magneto Serv.
Yorkton Culver & Blommar

CUBA

Havana *Elec. Equip. Co. of Cuba, Avenida de Italia 29

DENMARK

Copenhagen A. B. C. Hansen Comp., Industribygningen

GUATEMALA, C. A.

Guatemala R. Zabala, 7a Calle Poniente No. 8

EL SALVADOR, C. A.

San Salvador J. A. Miron & Cia, La Calle Poniente No. 24

ENGLAND

Birmingham Universal Magneto Repairs, 15-15A Aston Rd. N.
Bournemouth Hants. York Automobile, Ltd.
Bury St. Edmunds & Sons, Ltd., 21-25 Shelbourne Road
Chalmford, Essex Lauson, Ltd., Andrews St. (South)
Chesham W. H. Smith & Co., 118 New London Road
Clay Cross, Derbys Messrs. Kennings, Ltd., The Motor Depot
Crawford Bridge Messrs. Tilleys, 45 South Street
Dorchester, Dorset Messrs. S. Bird & Co. (South Wales), Ltd.
Ezter, Devon Eester Ignition Co., Summerland Street
Hemel Hempstead, Herts. Bosmoor Motors, Ltd., 499 London Rd., Bosmoor
Hitchin, Herts. R. A. Morgan, Florence St.
Ipwich, Suffolk Messrs. Boddie, Page & Co., St. Margaret's St.
Kendall Messrs. Hoggarty, Sandes Ave.
Lancaster, Lancs. Messrs. Park Bros., Ltd., The Ramparts
Lancaster Messrs. T. Walth & Co., Ltd., 85 High St.
Leeds, Sussex Rugs, Ltd., Station Square
London, N. W. *Euston Ignition Co., 329 Euston Rd.
London, N. W. 5 Messrs. Stoels Ign. Co., 175 Hampstead Rd.
London, W. 6 *Phoenix Auto Elec. Co., 8 & 10 Ravenscourt Ave.
Manchester, 3 Messrs. John Roberts (Manchester) Ltd.
Manchester, 3 Messrs. J. G. Deane, 371 Deansgate, Knott Mill
Marke by Sea, Yorks Garbutt Bros., High Street
Newcastle-on-Tyne Bridges Auto Elec. Works, Ltd., 10, Carlisle Place
Newport, Isle of Wight Frank Cheverton, Lower St. James St.

Newmont, Mont.

Newmont, Mont. Severn Motors, Ltd., Hendides Rd. Garage
Norwich, Norfolk A. Park & Son, Ltd., 10, St. Andrew's
**Osford, Berkshire's Car Elec. Serv., Ltd., 37 Park End Street
 Peterborough** Surchnell's Battery Service, Ltd., London Road
Pleasdale, York York Automobile, Ltd.
Preston, Lancs. Norman Herrion & Co., Kendal St. Wks.
Rotherham Robert H. C. Henry, 1 Sheffield Road
Salisbury J. H. C. Taylor & Sons, South Fort, Southampton
Southery Taylors Magneto Service, 13 King Street
Stafford William Gwensop, Wolverhampton Rd. Garage
Staines, Middlesex Messrs. V. & D. Keale, 156 High Street
Torquay Messrs. Battery Maintenance, Ltd., Newton Rd.
Trumpington, Cambridge E. F. Whybro, Magneto Works

Tunbridge Wells, Kent The Car Electrical Service (Faulner), Ltd., 24 St. John's Road
Warrington Irons and Dean, Windsorcup Causeway
Warrington Messrs. G. Orton & Co., Megret House, Eniscote Rd.
Whitechurch, Salop. G. H. Holton, Mill Street
Wigan, Lancs. Taylors (Wigan) Ltd., Powell Street
Wincchester, Hants Hampshire Ignition Ltd., 9 Chesell Hill St.
Wreaham, Mr. Chas. R. Eames King Street Parking Ground

IRELAND

Wasa Broder, Wickstroms, Motorfabriks, A/B
Channel Islands *GUERNSEY
 *Auto & Electrical Supply Co., Ltd.
TERRITORY OF HAWAII
Honolulu *Automotive Ser. Co., South and Kawaiahoi Sts.

HOLLAND

Rotterdam Mr. Jan Gest, Tunderstraat # 6
INDIA *Belfino & Co.

IRELAND

Belfast Messrs. John Robertson (Belfast) Ltd., 46 May St.
Dublin, G. L. Traders Mag. & Dynamo Co., 35 S. William St.

BRITISH WEST INDIES

Mathewtown, Inagua West Indian General Store, Ltd.
Jamaica
Kingston Clarence H. Stephens, 136d. Orange St.
Port of Spain F. J. Miller & Co., 30 Richmond St.

LATVIA

Riga Arvid Eliert, Nordsta. Iela No. 8

LITHUANIA

Kaunas Liutuin (Laituvs Zemas Ukio) Korko erapytu Pa.
 4577 Vytauto Pl. 33

MEXICO

Mexico City Anahuac Mach. Co., S. A. Bucarelli No. 12
Mexico City Equipos Mecanicos, Pasco De La Reforma 157
Monterrey, Nuevo Leon Casa Cram S. A. Apartado Postal No. 79 (P. O. Box) C.
 Calzada Victoria y Chaviltemoc
San Luis Potosi, S. L. P. Deutz Hnos. S. A., Venustiano Carranza No. 25
Sonora L. M. Byerly y Cia, Ciudad Obregon
Veracruz Isidora de Ochoa y Cia Sacs, De R. L.
 Miguel Lerdo 39

NEW ZEALAND

Wellington *H. E. W. Silver Mag. & Ign. Co.,
 457 Lower Cuba St.

PALESTINE

Tel-Aviv Auerbach Bros., 71 Herzl St.

PHILIPPINE ISLANDS

Manila *Ramar, Inc., 110 Padre Faura

PORTO RICO

San Juan *Ricardo Davis, P. O. Box 475

PORTUGAL

Lisbon *Auto-Luzitania Alfredo Duarte, Lda., Avenida da Liberdade, 75-77-79

ROUMANIA

Bucaresti *Progresul Mecanic

SCOTLAND

Aberdeen Messrs. Ben-Accord Elec. Repairs, Ltd., 97 Holburn St.
Dundee Messrs. J. H. Melville & Co., Ltd., 26 Yamen-Shore
Glasgow C-2 Messrs. Turner & Co., 65-69 Brown St.
Inverness Auto & Gen'l Elec. Services (Inverness Ltd.) 1 Friars St.

SIAM

Bangkok Prachand Engineering Co., P. O. Box 70

SOUTH AFRICA

Orange Free State *Electric Service Corp., Ltd.,
 34 Henry St., Bloemfontein

Cape Town

Durban *Motor Units Phys. Ltd., Cor. Broe & Riebeck Sts.
Johannesburg *Messrs. J. M. Moir
Kimberly *Messrs. Armstrong Layland of Kimberly
Port Elizabeth Messrs. Lucas Service Station, 115 Queen St.
 Southern Rhodesia
Salisbury *L. C. Leach, 110 Sinoia St.

ARGENTINA, S. A.

Buenos Aires *Armino Bonelli, Rauch 1849, Entre Calles Y Corrientes
BRAZIL, S. A.
Rio de Janeiro *Luis F. Brega & Filhos

COLUMBIA, S. A.

Barranquilla Casa Inglesa, Cia de Transportes Y Maquinaria, S. A.
Bogota Laboratorio de Electricidad, Calle 13, Numero 12-74
Bogota *Industrias Iver, S. A.
Bogota *Talleres Quevedo Ltda., Calle 13 No. 14-88
Medellin *Casa Inglesa

ECUADOR, S. A.

Guayaquil Luis Vallejo Arzujo, P. O. Box 7117

PERU, S. A.

Lima Luis S. Celi, Enrique Villar 258

URUGUAY, S. A.

Montevideo *Rodriguez, Monendes & Cia.

VENEZUELA, S. A.

Caracas Eugenio Mendosa, R. & Ca., Apartado 332
Mercaderes *Ferreteria del Lago

SWEDEN

Stockholm Ingenjorsfirms Georg Hjort, Steppargatan 3f

TASMANIA

Hobart W. A. Richards, Esq., 56 Collins St.

FACTORY SALES REPRESENTATIVES

Tulsa, Oklahoma
Harry Lolley, 130 Thompson Building
Los Angeles, California
V. T. Chevallier, 1611 South Hope St.
Milwaukee, Wisconsin
D. G. Forbes
O. H. Triff

Export Department
Wico Electric Co.
 38 Pearl St., New York City, U. S. A.